

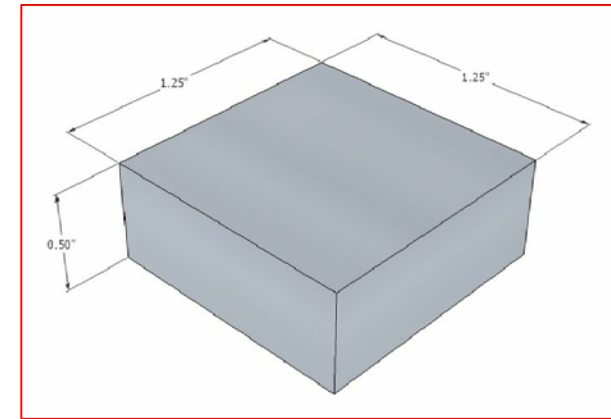
TOP VIEW



FRONT VIEW


BOTH LARGE SURFACES
MILLED or FLYCUT

32



NOTES:

- 1) MATERIAL: ALUM. 6061.
- 2) REMOVE ALL BURRS AND BREAK SHARP EDGES.
- 3) MACHINED FINISH ON ALL FACES UNLESS NOTED

REV.	DATE	DESCRIPTION	REV.	DATE	DESCRIPTION	SCALE	 11941 Industrial Park Road, STE 5 Bishopville, Maryland 21813	THIS DOCUMENT IS THE EXCLUSIVE PROPERTY OF CUSTOM THERMOELECTRIC INC. AND THE INFORMATION CONTAINED THEREIN IS CONFIDENTIAL, PROPRIETARY INFORMATION OF CUSTOM THERMOELECTRIC. NEITHER THE DOCUMENT NOR ITS INFORMATION MAY BE DISCLOSED, COPIED, OR USED IN WHOLE OR IN PART WITHOUT THE PRIOR WRITTEN CONSENT OF CUSTOM THERMOELECTRIC INC.			
A	4/30/2012	Initial release				NOT TO SCALE			DRAWN BY	DATE	CHECKED
						MATERIAL		A. Masters	4-30-2012	-	
						FINISH	UNLESS OTHERWISE SPECIFIED	TITLE			
						NO. REQUIRED	ALL DIMENSIONS ARE IN INCHES & PER ANSI Y14.5	EXTENDER BLOCK			
						NEXT ASSEMBLY	FRACTIONAL: ± .03	-			
						CAD#	DECIMAL: ± .XX .01, ± XXX.005	1.25 X 1.25 X .50"			
						SIMILAR TO:	FILLET RADIUS: .010 MAXIMUM	SIZE	DRAWING NUMBER	SHEET	REV.
							THREADS: CLASS 2	B	EB-1.25-1.25-0.50-AL	1 OF 1	A
							ALL DIAMETERS CONC. WITHIN .005 T. I. R.				
							SURFACES TO BE PERPENDICULAR WITHIN .005 T. I. R.				
							SURFACES TO BE PARALLEL WITHIN .005 T. I. R.				
							HOLE ANGULAR TOLERANCE ± 0° 5'				
							ALL OTHER ANGULAR TOLERANCES TO BE ± 0° 30'				
							REMOVE ALL BURRS AND EDGES				