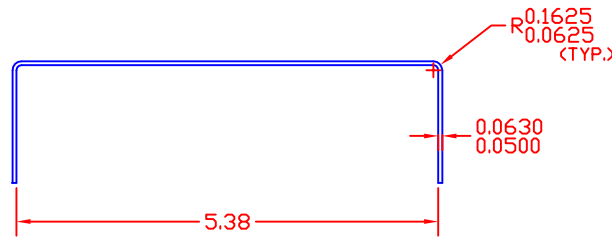
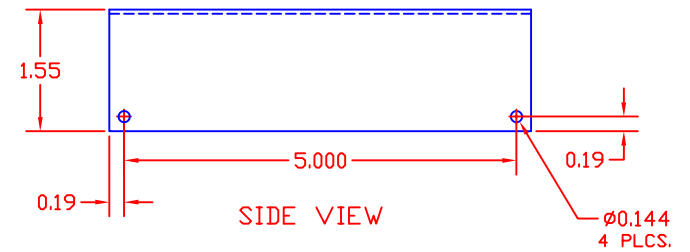
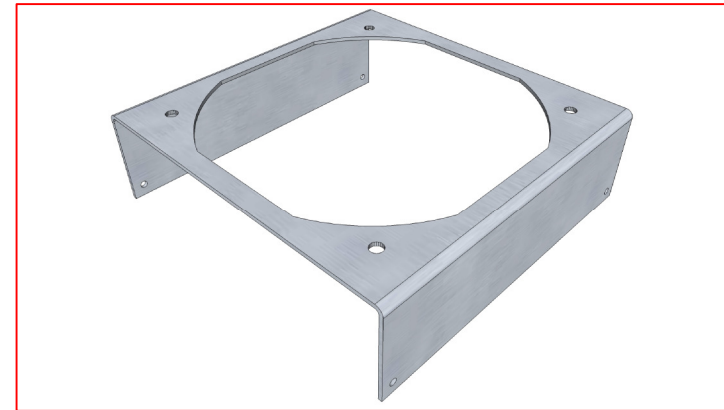


TOP VIEW




FRONT VIEW



SIDE VIEW

NOTES:

- 1) MATERIAL: ALUM. 5052 or EQUIV.
- 2) ALL DIMENSIONS ARE AFTER ANY METAL BENDING OPERATIONS.

REV.	DATE	DESCRIPTION	REV.	DATE	DESCRIPTION	SCALE	 11941 Industrial Park Road, STE 5 Bishopville, Maryland 21813	THIS DOCUMENT IS THE EXCLUSIVE PROPERTY OF CUSTOM THERMOELECTRIC INC. AND THE INFORMATION CONTAINED THEREIN IS CONFIDENTIAL, PROPRIETARY INFORMATION OF CUSTOM THERMOELECTRIC. NEITHER THE DOCUMENT NOR ITS INFORMATION MAY BE DISCLOSED, COPIED, OR USED IN WHOLE OR IN PART WITHOUT THE PRIOR WRITTEN CONSENT OF CUSTOM THERMOELECTRIC INC.			
A	10/06/2009	Initial release				NOT TO SCALE			DRAWN BY	DATE	CHECKED
B	10/12/2009	Changed material to Alum 5052, hole size to 0.144 (from 0.116)						A. Masters	10-06-2009	-	
							UNLESS OTHERWISE SPECIFIED	TITLE			
							NO. REQUIRED	HEAT SINK FAN SHROUD 5.4x5.4x1.5"			
							1				
							NEXT ASSEMBLY				
							CAD#				
							SIMILAR TO:				
								SIZE	DRAWING NUMBER	SHEET	REV.
								B	HSS-5.4-1.5-AL-01	1 OF 1	B