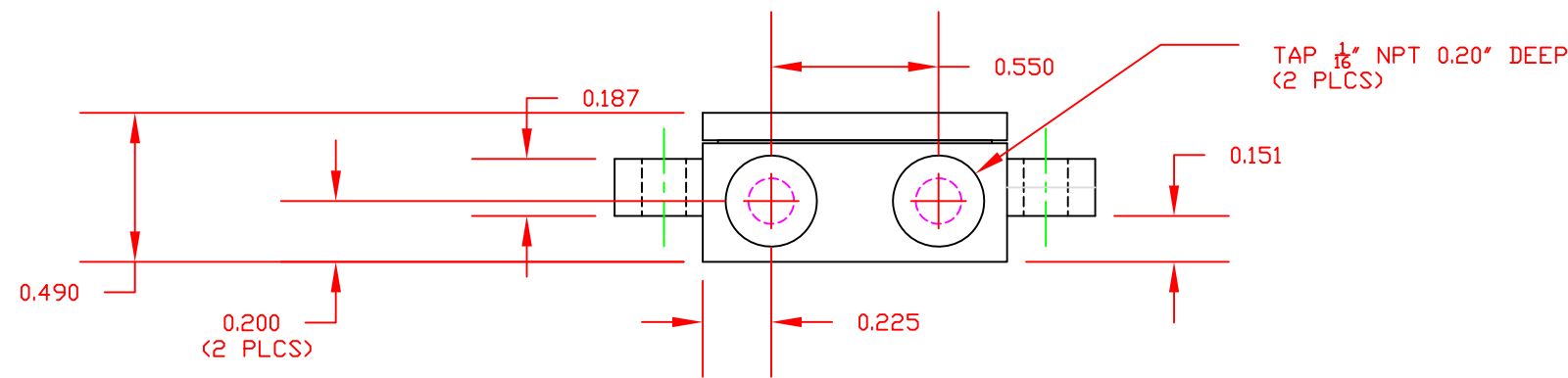


TOP VIEW




FRONT VIEW



COPPER PART SHOWN

NOTES:

1) MATERIAL: COPPER (Alloy 110, 101 or 145) or ALUMINUM 6061

REV.	DATE	DESCRIPTION	REV.	DATE	DESCRIPTION	SCALE	 CUSTOM THERMOELECTRIC <i>Your Thermoelectric Partner</i>	THIS DOCUMENT IS THE EXCLUSIVE PROPERTY OF CUSTOM THERMOELECTRIC INC. AND THE INFORMATION CONTAINED THEREIN IS CONFIDENTIAL, PROPRIETARY INFORMATION OF CUSTOM THERMOELECTRIC. NEITHER THE DOCUMENT NOR ITS INFORMATION MAY BE DISCLOSED, COPIED, OR USED IN WHOLE OR IN PART WITHOUT THE PRIOR WRITTEN CONSENT OF CUSTOM THERMOELECTRIC INC.			
A	7/13/2010	Initial release				NOT TO SCALE		11941 Industrial Park Road, STE 5 Bishopville, Maryland 21813	DRAWN BY	DATE	CHECKED
							UNLESS OTHERWISE SPECIFIED ALL DIMENSIONS ARE IN INCHES & PER ANSI Y14.5 FRACTIONAL: ± .03 DECIMAL: ± .XX .01 , ± XXX .005 FILLET RADIUS: .010 MAXIMUM THREADS: CLASS 2 ALL DIAMETERS CONC. WITHIN .005 T. I. R. SURFACES TO BE PERPENDICULAR WITHIN .005 T. I. R. SURFACES TO BE PARALLEL WITHIN .005 T. I. R. HOLE ANGULAR TOLERANCE ± 0° 5' ALL OTHER ANGULAR TOLERANCES TO BE ± 0° 30' REMOVE ALL BURRS AND EDGES	6-24-10	-		
								TITLE CHILLER BLOCK 1.0" x 1.0" x 0.49" R1 (IN/OUTLET ON SAME SIDES)			
								SIZE	DRAWING NUMBER	SHEET	REV.
								B	CB-1.0-0.40-R1-CU	1 OF 1	A