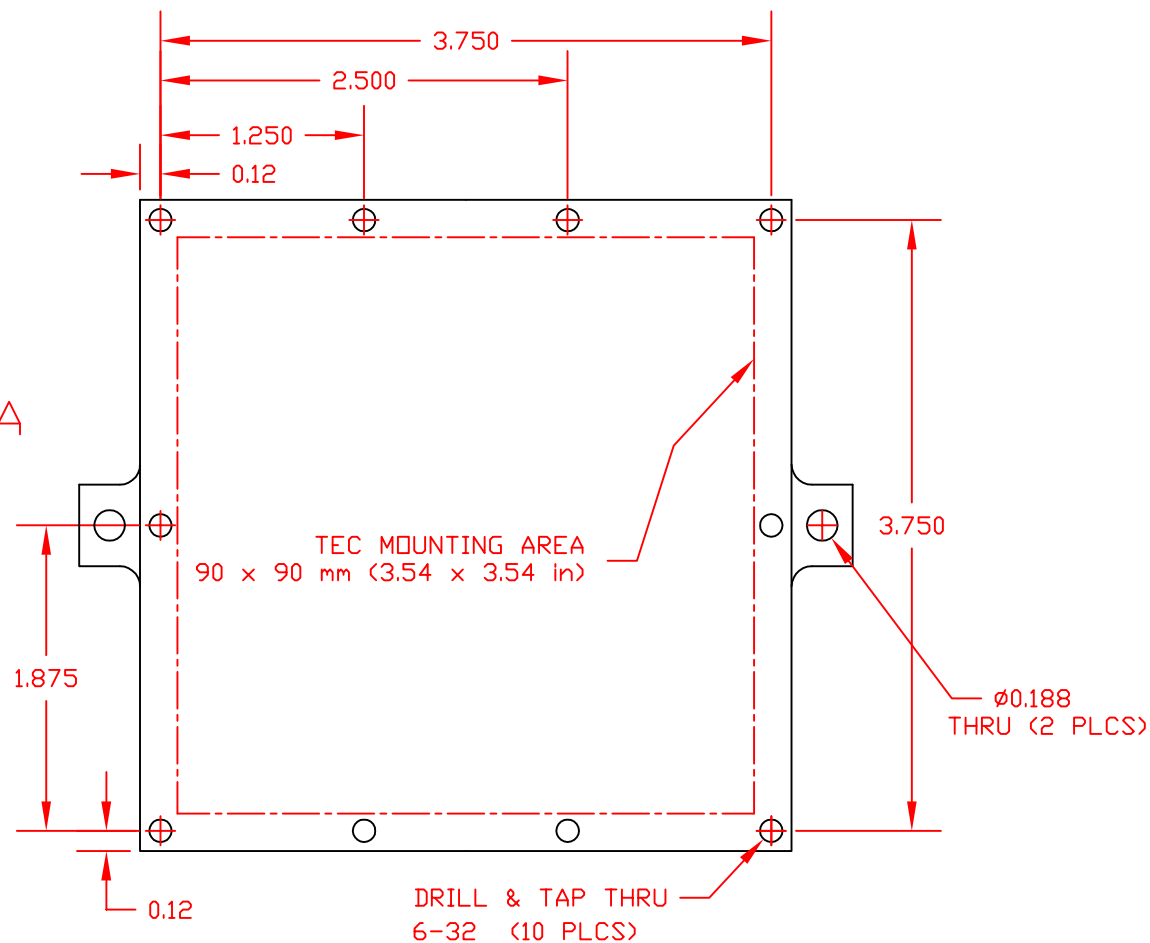
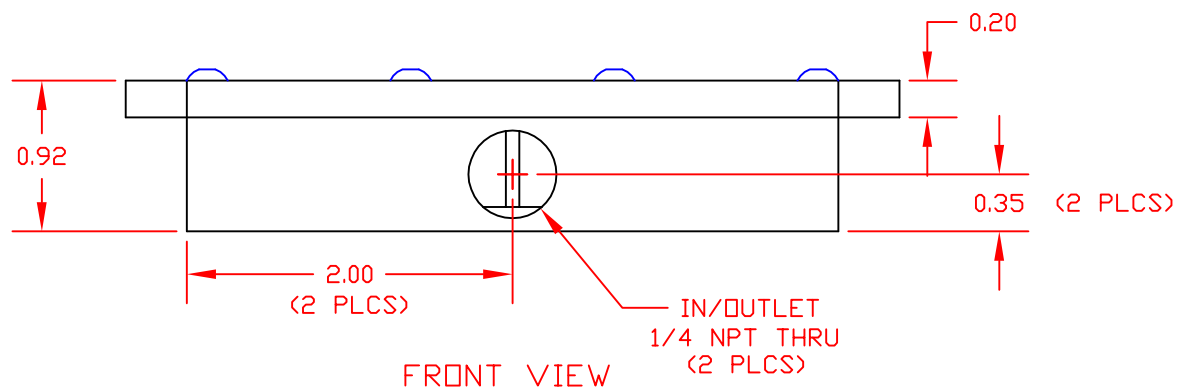


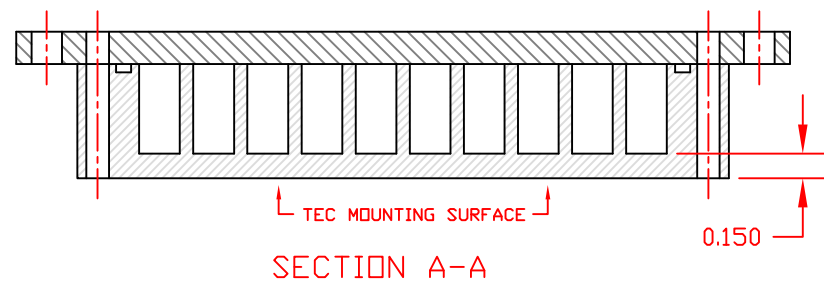
TOP VIEW



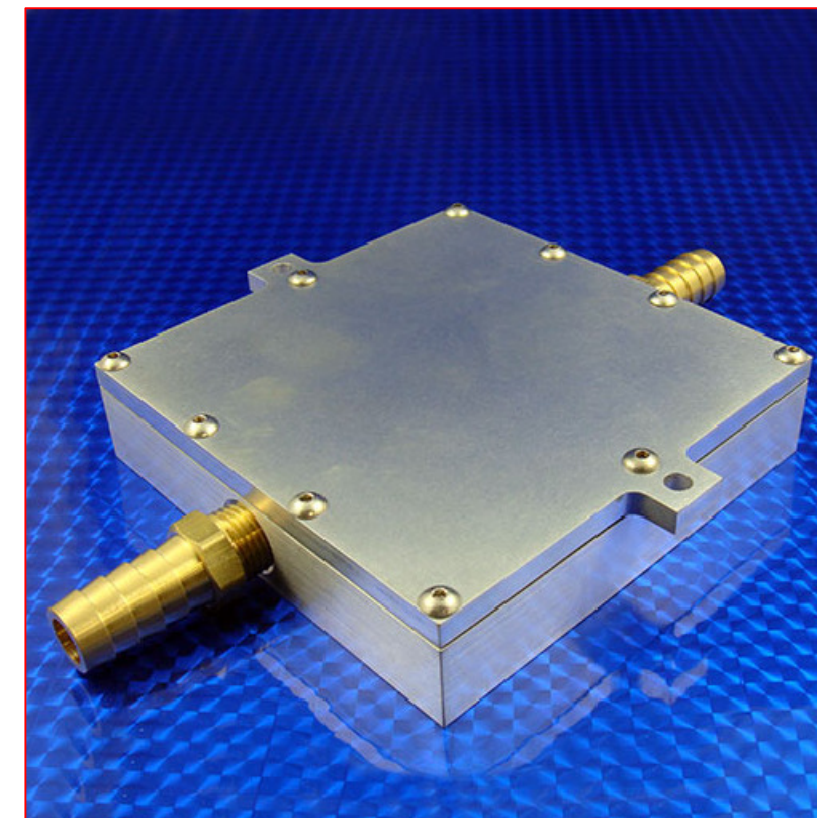
BOTTOM VIEW



FRONT VIEW




SECTION A-A



NOTES:

- 1) MATERIAL: ALUM. 6061
- 2) SCREWS: SOCKET BUTTON HEAD 18-8 SS - 10 PIECES
- 3) PART SHOWN WITHOUT BARBED TUBE FITTINGS

REV.	DATE	DESCRIPTION	REV.	DATE	DESCRIPTION	SCALE	 11941 Industrial Park Road, STE 5 Bishopville, Maryland 21813	THIS DOCUMENT IS THE EXCLUSIVE PROPERTY OF CUSTOM THERMOELECTRIC INC. AND THE INFORMATION CONTAINED THEREIN IS CONFIDENTIAL, PROPRIETARY INFORMATION OF CUSTOM THERMOELECTRIC. NEITHER THE DOCUMENT NOR ITS INFORMATION MAY BE DISCLOSED, COPIED, OR USED IN WHOLE OR IN PART WITHOUT THE PRIOR WRITTEN CONSENT OF CUSTOM THERMOELECTRIC INC.			
A	3/06/2009	Initial release				NOT TO SCALE			DRAWN BY	DATE	CHECKED
B	11/10/2009	Added section detail & in/outlet tap detail					UNLESS OTHERWISE SPECIFIED	A. Masters	3-06-09	-	
							ALL DIMENSIONS ARE IN INCHES & PER ANSI Y14.5	TITLE <h2 style="color: red; text-align: center;">WATER BLOCK</h2> <h3 style="color: red; text-align: center;">4" x 4" x 0.92"</h3>			
							FRACTIONAL: ± .03				
							DECIMAL: ± .XX .01, ± XXX .005				
							FILLET RADIUS: .010 MAXIMUM				
							THREADS: CLASS 2				
							ALL DIAMETERS CONC. WITHIN .005 T. I. R.	SIZE	DRAWING NUMBER	SHEET	REV.
							SURFACES TO BE PERPENDICULAR WITHIN .005 T. I. R.	B	WBA-4.0-0.92-AL-01	1 OF 1	B
							SURFACES TO BE PARALLEL WITHIN .005 T. I. R.				
							HOLE ANGULAR TOLERANCE ± 0° 5'				
							ALL OTHER ANGULAR TOLERANCES TO BE ± 0° 30'				
							REMOVE ALL BURRS AND EDGES				