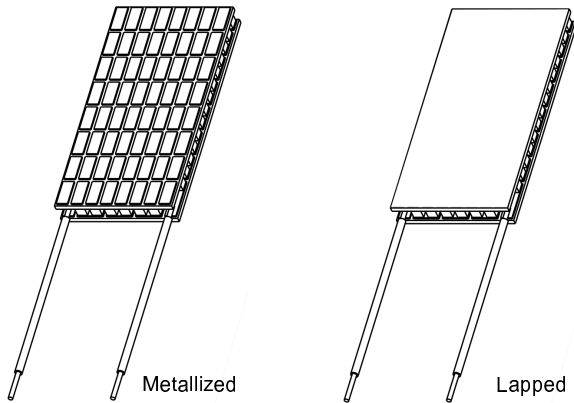


TEC Specification Sheet

Part #	I_{max} (Amps)	Q_{max} (Watts)	V_{max} (Volts)	DT_{max} (°C)	T_{max} (°C)
06201-9L31-06B	6.0	24.4	8.0	68°C	200°C



Options:

Wire type. See Wire type codes or call for custom wires.

Height Tolerance specification. See Tolerance codes or call for custom tolerances.

Other Options. See Options codes or call for custom options.

Top Plate				Bottom Plate				Metallized Height		Lapped Height	
A		B		C		D		H		H	
mm	in	mm	in	mm	in	mm	in	mm	in	mm	in
25.0	0.98	50.0	1.97	25.0	0.98	50.0	1.97	4.7	.185	4.2	.165

Weight
-

