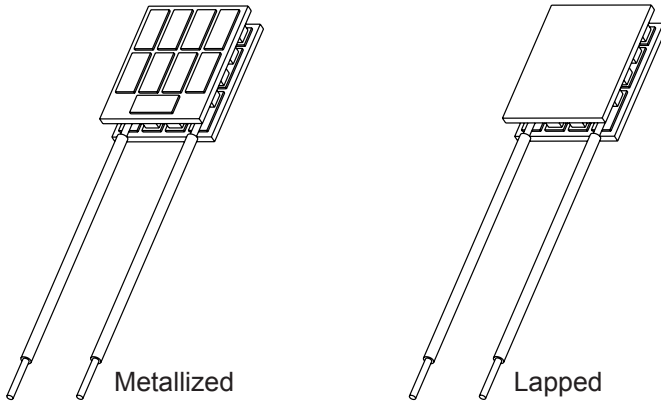


TEC Specification Sheet

Part #	I_{max} (Amps)	Q_{max} (Watts)	V_{max} (Volts)	DT_{max} (°C)	T_{max} (°C)
0090₁-9L₂3₃-06B_{x4}	6.0	3.55	1.2	67°C	200°C



X_n Codes:

X_1 =Substrate finish codes.

- 0 = Metallized both top and bottom.
- 1 = Lapped both top and bottom.
- 2 = Metallized top, lapped bottom.
- 3 = Lapped top, metallized bottom.

X_2 =Wire type. See Wire type codes or call for custom wires.

X_3 =Height Tolerance specification. See Tolerance codes or call for custom tolerances.

X_4 =Options. See Options codes or call for custom options.

Bottom Plate				Top Plate				Metallized Height		Lapped Height	
A		B		C		D		H		H	
mm	in	mm	in	mm	in	mm	in	mm	in	mm	in
19.05	0.75	15.75	0.62	19.05	0.75	15.75	0.62	4.70	0.185	4.19	0.165

