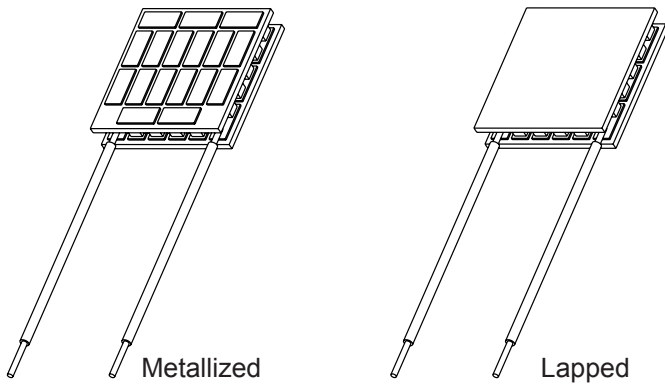


# TEC Specification Sheet



Part #	I <sub>max</sub> (Amps)	Q <sub>max</sub> (Watts)	V <sub>max</sub> (Volts)	DT <sub>max</sub> (°C)	T <sub>max</sub> (°C)
<b>017x<sub>1</sub>1-9x<sub>2</sub>x<sub>3</sub>1-06Bx<sub>4</sub></b>	6.0	6.7	2.2	67°C	200°C



### X<sub>n</sub> Codes:

X<sub>1</sub>=Substrate finish codes.

0 = Metallized both top and bottom.

1 = Lapped both top and bottom.

2 = Metallized top, lapped bottom.

3 = Lapped top, metallized bottom.

X<sub>2</sub>=Wire type. See Wire type codes or call for custom wires.

X<sub>3</sub>=Height Tolerance specification. See Tolerance codes or call for custom tolerances.

X<sub>4</sub>=Options. See Options codes or call for custom options.

Bottom Plate				Top Plate				Metallized Height		Lapped Height	
A		B		C		D		H		H	
mm	in	mm	in	mm	in	mm	in	mm	in	mm	in
23.11	0.91	23.11	0.91	23.11	0.91	23.11	0.91	4.70	0.185	4.19	0.165

