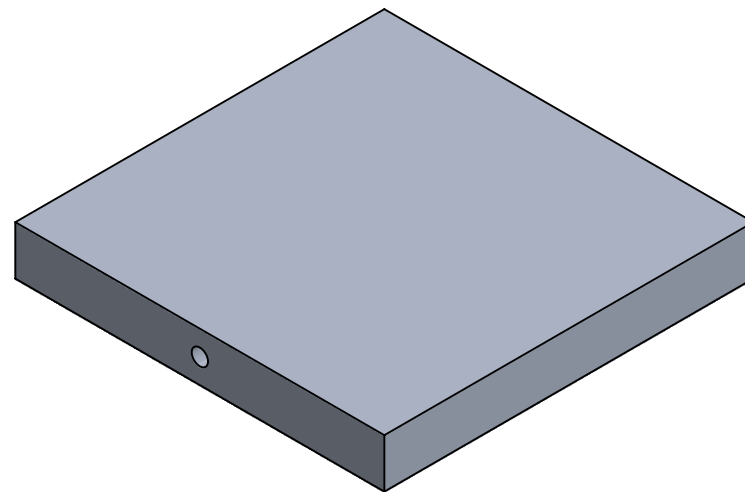
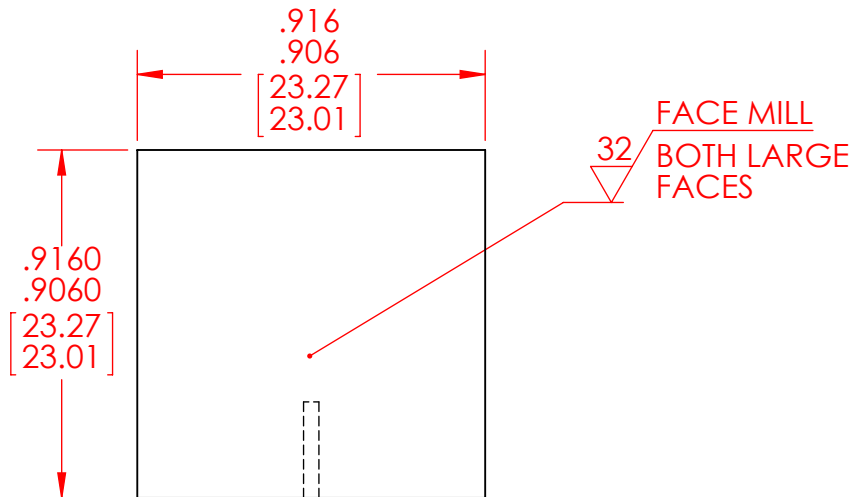
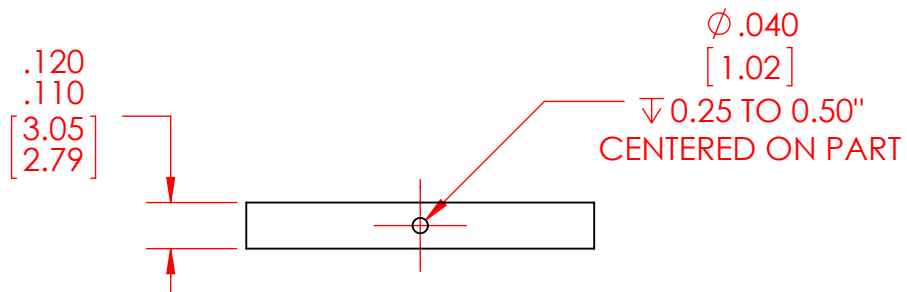


B



B




NOTES:

1. DIMENSIONS IN INCHES AND [MM].
2. MATERIAL: ALUMINUM 6061.

A

PROPRIETARY AND CONFIDENTIAL
THE INFORMATION CONTAINED IN THIS
DRAWING IS THE SOLE PROPERTY OF
CUSTOM THERMOELECTRIC, LLC. ANY
REPRODUCTION IN PART OR AS A WHOLE
WITHOUT THE WRITTEN PERMISSION OF
CUSTOM THERMOELECTRIC, LLC IS
PROHIBITED.

		UNLESS OTHERWISE SPECIFIED:	NAME	DATE	 CUSTOM THERMOELECTRIC <i>Your Thermoelectric Partner</i>	11941 INDUSTRIAL PARK RD STE 5 BISHOPVILLE, MD 21813 PH 443-926-9135 FAX 443-926-9137		
		DIMENSIONS ARE IN INCHES TOLERANCES: FRACTIONAL $\pm 1/32$ ANGULAR: MACH ± 1 BEND \pm TWO PLACE DECIMAL $\pm .01$ THREE PLACE DECIMAL $\pm .005$	DRAWN	MASTERS		12/04/2009	TITLE: COLD PLATE ALUMINUM 0.906 x 0.906 x 0.120"	
		INTERPRET GEOMETRIC TOLERANCING PER:	CHECKED			SIZE	DWG. NO.	REV
		MATERIAL	ENG APPR.			A	CP-0.91-0.91-AL-01_PUBLIC	B
		FINISH	MFG APPR.			SCALE: 2:1		WEIGHT:
NEXT ASSY	USED ON		Q.A.			SHEET 1 OF 1		
APPLICATION		DO NOT SCALE DRAWING	COMMENTS:					

2

1