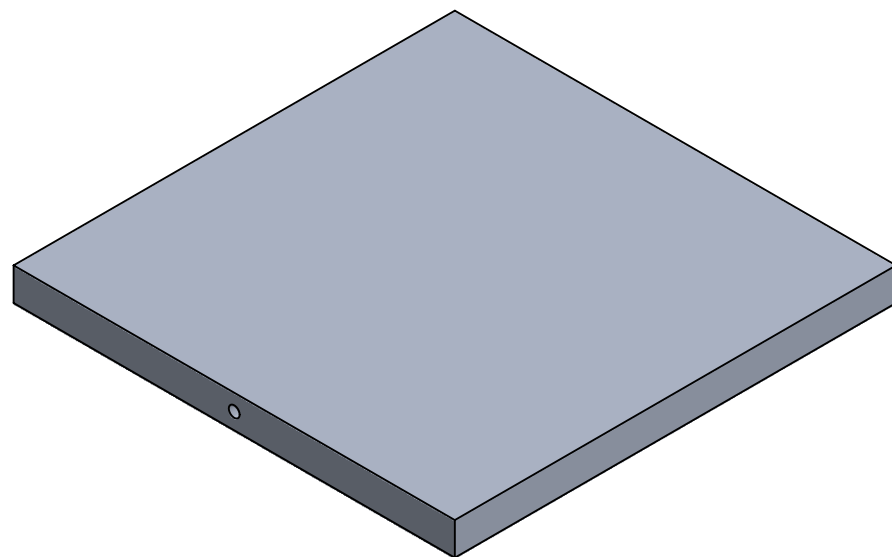
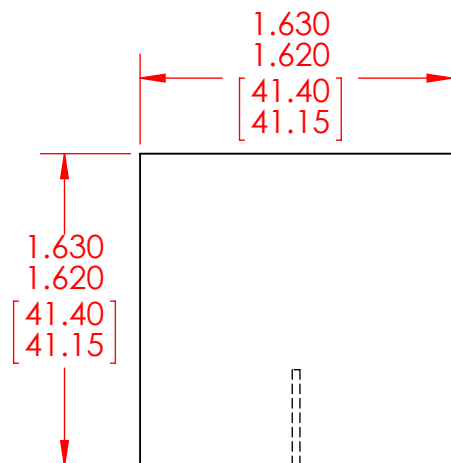
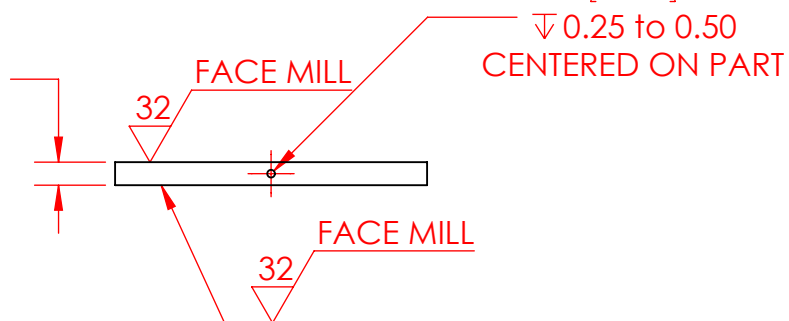


B



B

.120
.110
[3.05]
[2.79]




NOTES:

1. DIMENSIONS IN INCHES AND [MM].
2. MATERIAL: ALUMINUM 6061.

A

A

PROPRIETARY AND CONFIDENTIAL
THE INFORMATION CONTAINED IN THIS DRAWING IS THE SOLE PROPERTY OF CUSTOM THERMOELECTRIC, LLC. ANY REPRODUCTION IN PART OR AS A WHOLE WITHOUT THE WRITTEN PERMISSION OF CUSTOM THERMOELECTRIC, LLC IS PROHIBITED.

		UNLESS OTHERWISE SPECIFIED:	NAME	DATE	 CUSTOM THERMOELECTRIC Your Thermoelectric Partner 11941 INDUSTRIAL PARK RD STE 5 BISHOPVILLE, MD 21813 PH 443-926-9135 FAX 443-926-9137
		DIMENSIONS ARE IN INCHES TOLERANCES: FRACTIONAL $\pm 1/32$ ANGULAR: MACH ± 1 BEND \pm TWO PLACE DECIMAL $\pm .01$ THREE PLACE DECIMAL $\pm .005$	DRAWN MASTERS	5/27/2017	
		INTERPRET GEOMETRIC TOLERANCING PER:	CHECKED		TITLE: COLD PLATE ALUMINUM 1.625 x 1.625 x 0.12"
		MATERIAL	ENG APPR.		
		FINISH	MFG APPR.		
NEXT ASSY	USED ON		Q.A.		SIZE DWG. NO. REV A CP-1.63-1.63-AL-01_PUBLIC A
APPLICATION		DO NOT SCALE DRAWING	COMMENTS:		SCALE: 1:1 WEIGHT: SHEET 1 OF 1

2

1