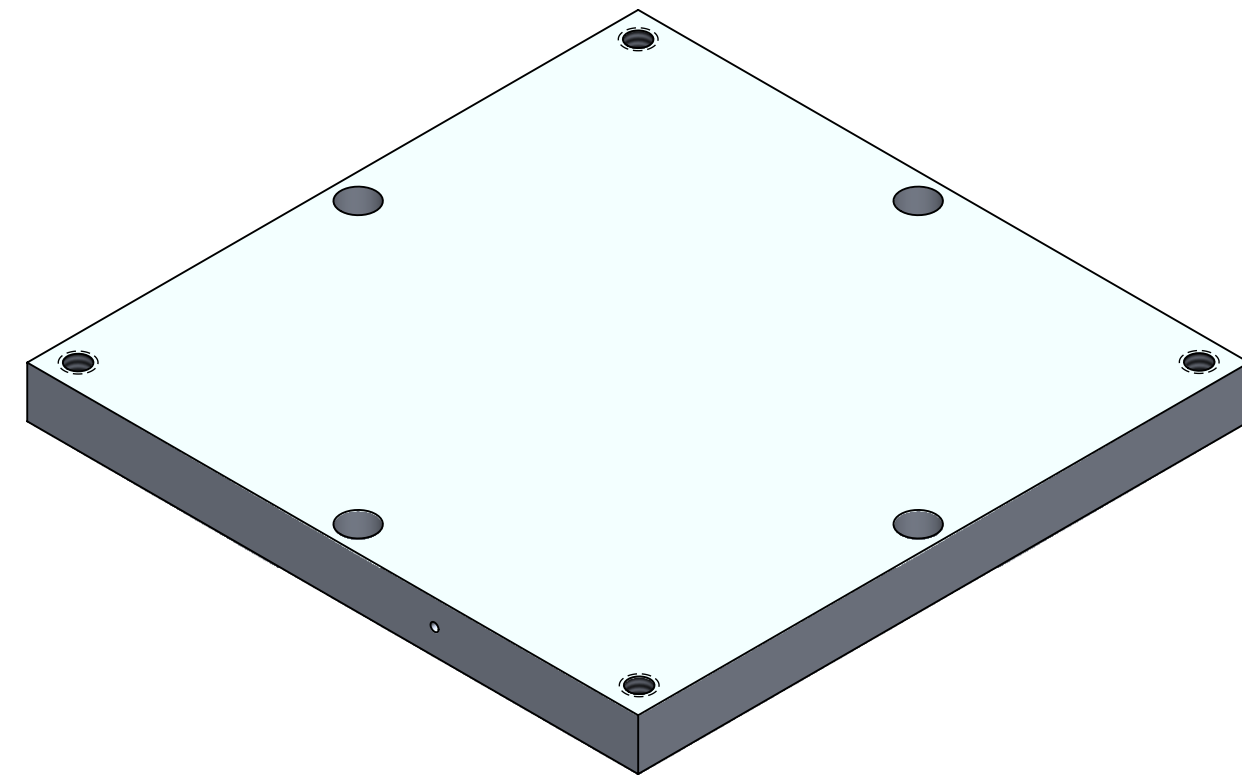
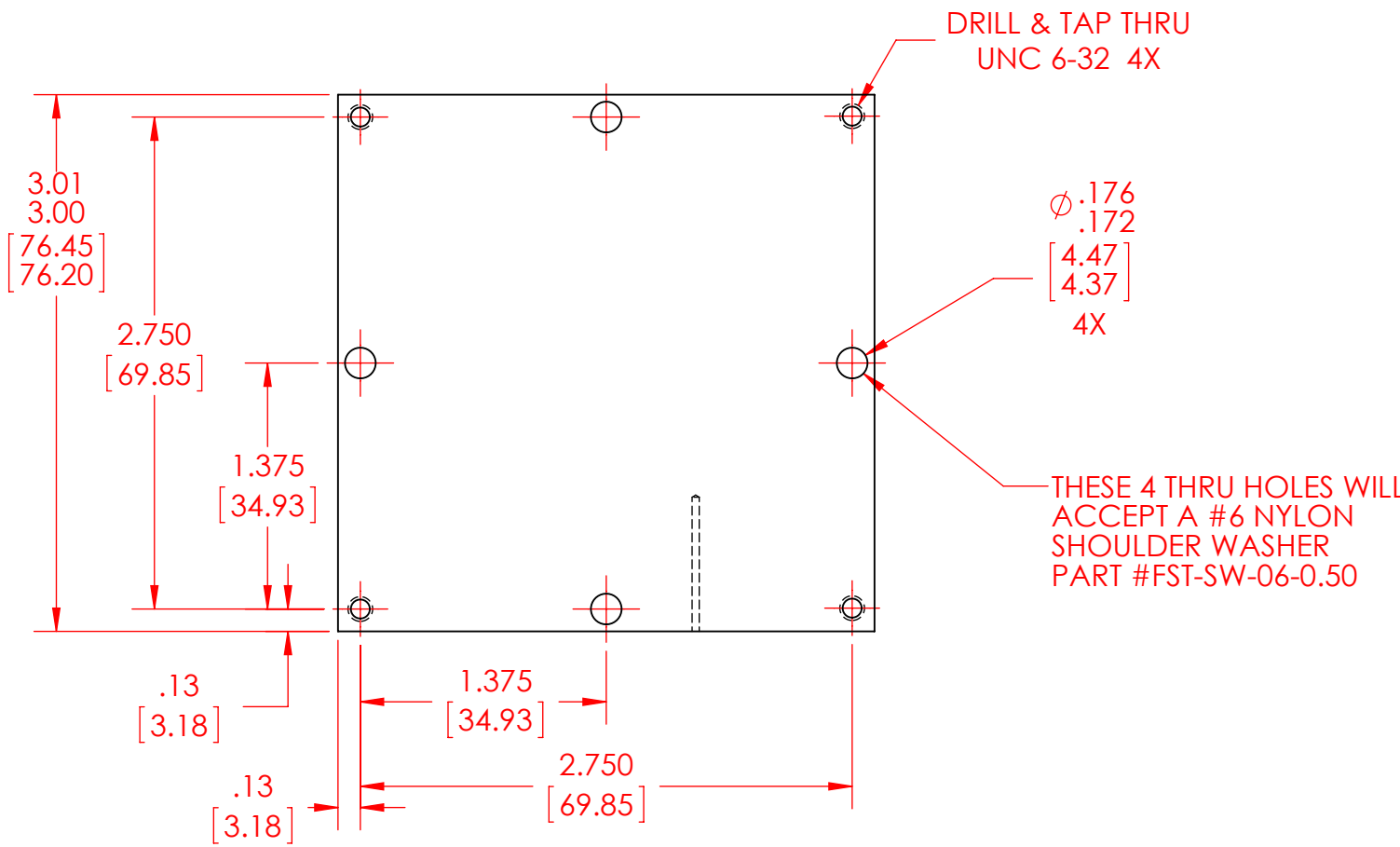


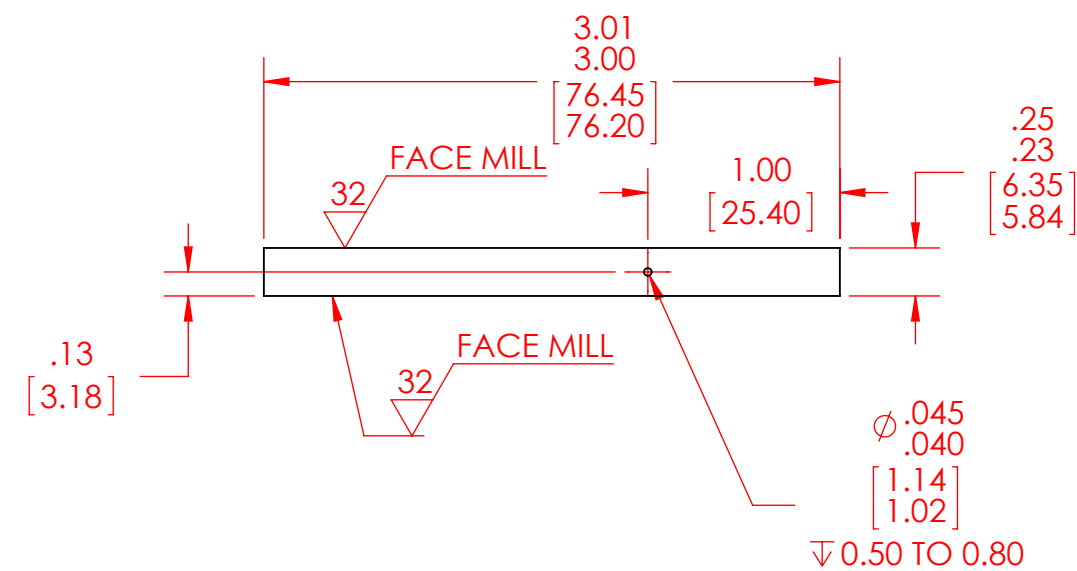
4 3 2 1

B



B

A



- NOTES:
1. DIMENSIONS IN INCHES AND [MM].
2. MATERIAL: ALUMINUM 6061.

A

PROPRIETARY AND CONFIDENTIAL THE INFORMATION CONTAINED IN THIS DRAWING IS THE SOLE PROPERTY OF CUSTOM THERMOELECTRIC, LLC. ANY REPRODUCTION IN PART OR AS A WHOLE WITHOUT THE WRITTEN PERMISSION OF CUSTOM THERMOELECTRIC, LLC IS PROHIBITED.	UNLESS OTHERWISE SPECIFIED:	NAME	DATE	11941 Industrial Park Road, STE 5 Bishopville, MD 21813 TITLE: COLD PLATE W/ MOUNTING HOLES 3.00 x 3.00 x 0.25"	
	DIMENSIONS ARE IN INCHES	DRAWN	AEM		5/09/2012
	TOLERANCES: FRACTIONAL \pm .03 ANGULAR: MACH \pm 0°30' BEND \pm 1° TWO PLACE DECIMAL \pm .01 THREE PLACE DECIMAL \pm .005 SURFACES TO BE PERPENDICULAR WITHIN .005 T.I.R. SURFACES TO BE PARALLEL WITHIN .005 T.I.R. HOLE ANGULAR TOLERANCE \pm 0°5'	CHECKED			
	INTERPRET GEOMETRIC TOLERANCING PER: ANSI Y14.5	ENG APPR.			
MATERIAL	FINISH	MFG APPR.			
		Q.A.			
		COMMENTS:			
	DO NOT SCALE DRAWING			SIZE DWG. NO. REV B CPT-3.00-3.00-0.25-AL_PUBLIC A	
		SCALE: 1:1	WEIGHT:	SHEET 1 OF 1	

REV.	DATE	DESCRIPTION	REV.	DATE	DESCRIPTION
A	5/09/2012	INITIAL RELEASE			

4 3 2 1