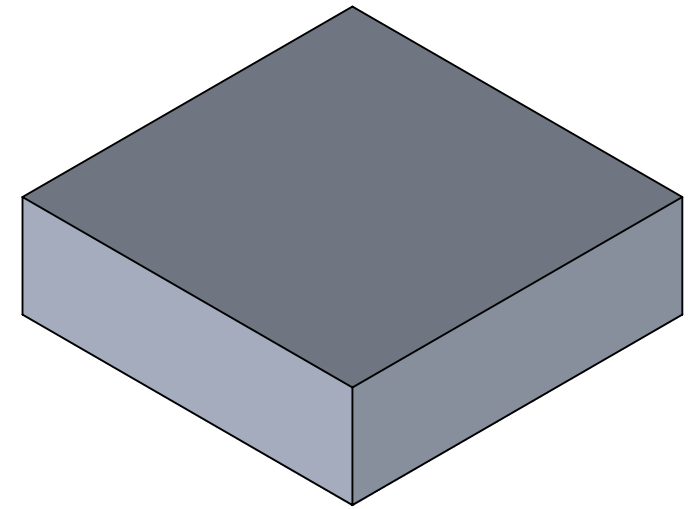
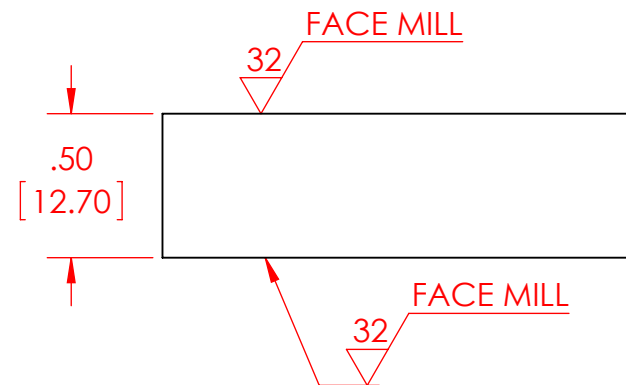
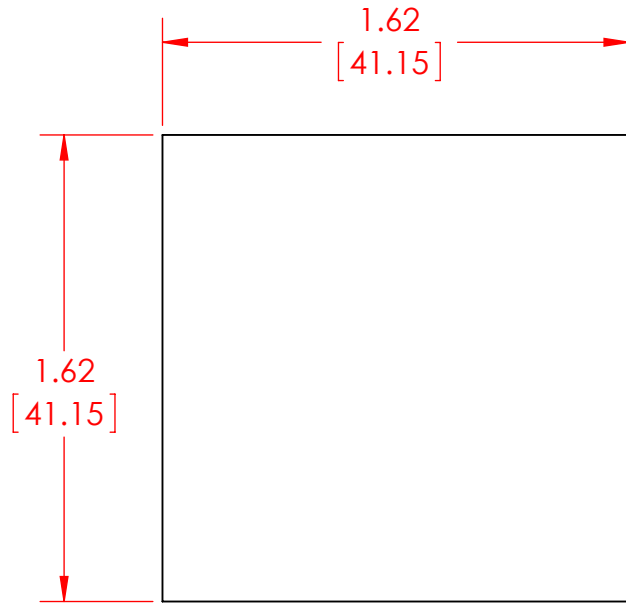


B




B

- NOTES:
1. DIMENSIONS IN INCHES AND [MM].
 2. MATERIAL: ALUMINUM 6061.

A

PROPRIETARY AND CONFIDENTIAL
THE INFORMATION CONTAINED IN THIS DRAWING IS THE SOLE PROPERTY OF CUSTOM THERMOELECTRIC, LLC. ANY REPRODUCTION IN PART OR AS A WHOLE WITHOUT THE WRITTEN PERMISSION OF CUSTOM THERMOELECTRIC, LLC IS PROHIBITED.

		UNLESS OTHERWISE SPECIFIED:	NAME	DATE	 CUSTOM THERMOELECTRIC <i>Your Thermoelectric Partner</i>	11941 INDUSTRIAL PARK RD STE 5 BISHOPVILLE, MD 21813 PH 443-926-9135 FAX 443-926-9137	
		DIMENSIONS ARE IN INCHES TOLERANCES: FRACTIONAL $\pm 1/32$ ANGULAR: MACH ± 1 BEND \pm TWO PLACE DECIMAL $\pm .01$ THREE PLACE DECIMAL $\pm .005$	DRAWN	MASTERS		5/28/2017	TITLE: EXTENDER BLOCK ALUMINUM 1.62 x 1.62 x 0.50"
		INTERPRET GEOMETRIC TOLERANCING PER:	CHECKED			SIZE DWG. NO. REV	
		MATERIAL	ENG APPR.			A EB-1.62-1.62-0.50-AL_PUBLIC A	
		FINISH	MFG APPR.			SCALE: 1:1 WEIGHT: SHEET 1 OF 1	
NEXT ASSY	USED ON		Q.A.				
APPLICATION		DO NOT SCALE DRAWING	COMMENTS:				

2

1

A