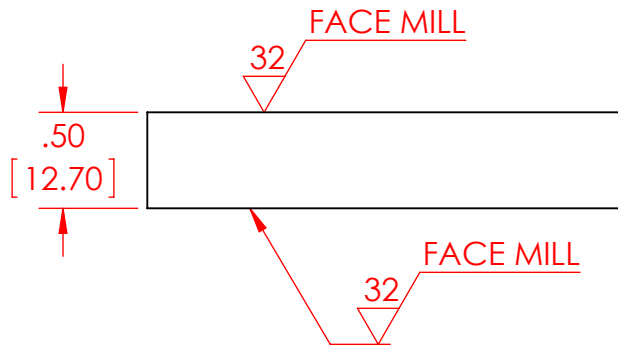
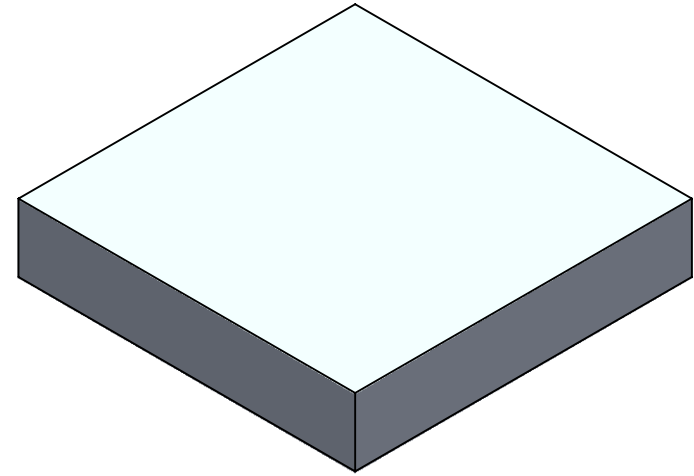
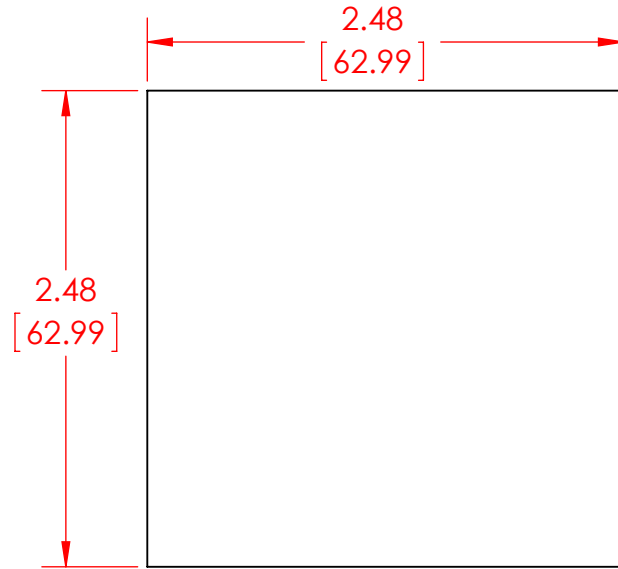


2

1



- NOTES:
 1. DIMENSIONS IN INCHES AND [MM].
 2. MATERIAL: ALUMINUM 6061.

B

B

A

A

PROPRIETARY AND CONFIDENTIAL
 THE INFORMATION CONTAINED IN THIS DRAWING IS THE SOLE PROPERTY OF CUSTOM THERMOELECTRIC, LLC. ANY REPRODUCTION IN PART OR AS A WHOLE WITHOUT THE WRITTEN PERMISSION OF CUSTOM THERMOELECTRIC, LLC IS PROHIBITED.

		UNLESS OTHERWISE SPECIFIED:		NAME	DATE
		DIMENSIONS ARE IN INCHES	DRAWN	MASTERS	5/28/2017
		TOLERANCES:	CHECKED		
		FRACTIONAL ± 1/32	ENG APPR.		
		ANGULAR: MACH ± 1 BEND ±	MFG APPR.		
		TWO PLACE DECIMAL ± .01	Q.A.		
		THREE PLACE DECIMAL ± .005	COMMENTS:		
		INTERPRET GEOMETRIC TOLERANCING PER:			
		MATERIAL			
NEXT ASSY	USED ON	FINISH			
	APPLICATION	DO NOT SCALE DRAWING			

 **CUSTOM THERMOELECTRIC**
Your Thermoelectric Partner
 11941 INDUSTRIAL PARK RD STE 5
 BISHOPVILLE, MD 21813
 PH 443-926-9135 FAX 443-926-9137

TITLE:
**EXTENDER BLOCK
 ALUMINUM
 2.48 x 2.48 x 0.50"**

SIZE	DWG. NO.	REV
A	EB-2.48-2.48-0.50-AL_PUBLIC	A
SCALE: 1:1	WEIGHT:	SHEET 1 OF 1

2

1