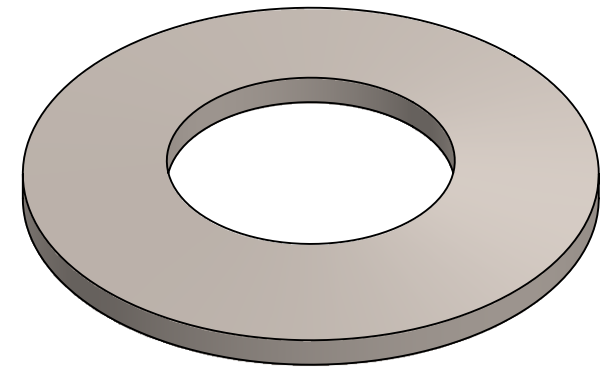
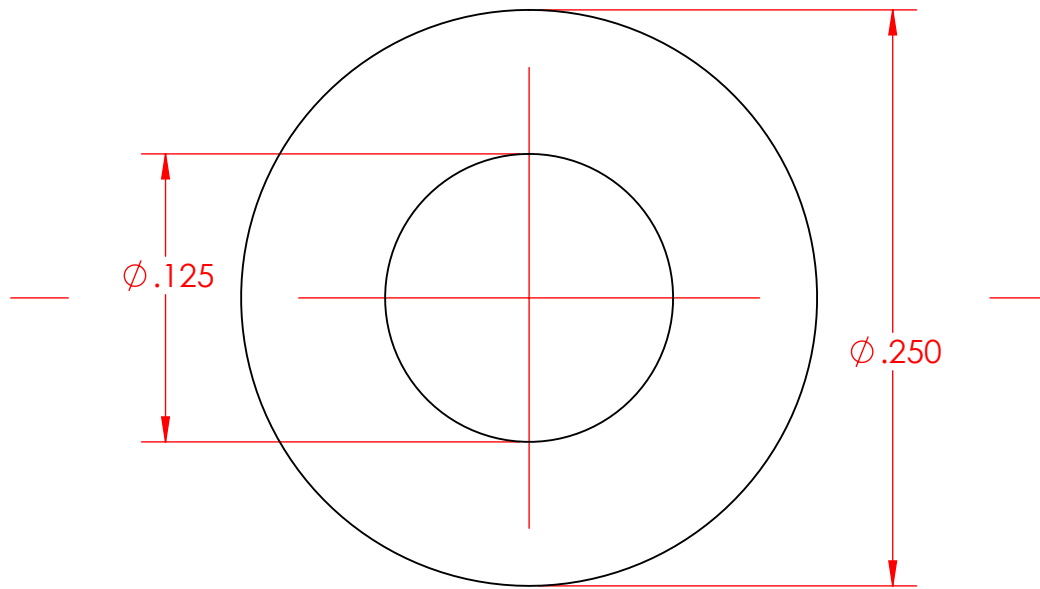
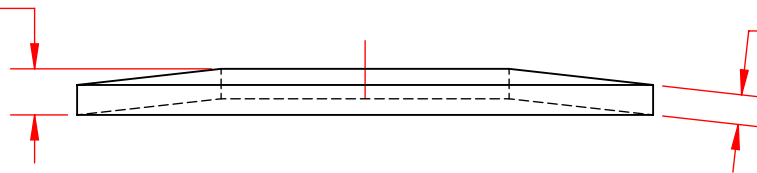


B



B

.020
HEIGHT.013
THICKNESS

NOTES:

- MATERIAL: 302 STAINLESS STEEL

A

PROPRIETARY AND CONFIDENTIAL
THE INFORMATION CONTAINED IN THIS DRAWING IS THE SOLE PROPERTY OF CUSTOM THERMOELECTRIC, LLC. ANY REPRODUCTION IN PART OR AS A WHOLE WITHOUT THE WRITTEN PERMISSION OF CUSTOM THERMOELECTRIC, LLC IS PROHIBITED.

		UNLESS OTHERWISE SPECIFIED:		NAME	DATE
		DIMENSIONS ARE IN INCHES	DRAWN	MASTERS	5/29/2017
		TOLERANCES:	CHECKED		
		FRACTIONAL $\pm 1/32$	ENG APPR.		
		ANGULAR: MACH ± 1 BEND \pm	MFG APPR.		
		TWO PLACE DECIMAL $\pm .01$	Q.A.		
		THREE PLACE DECIMAL $\pm .005$	COMMENTS:		
		INTERPRET GEOMETRIC TOLERANCING PER:			
		MATERIAL			
		FINISH			
NEXT ASSY	USED ON				
APPLICATION		DO NOT SCALE DRAWING			


CUSTOM THERMOELECTRIC
Your Thermoelectric Partner

 11941 INDUSTRIAL PARK RD STE 5
 BISHOPVILLE, MD 21813
 PH 443-926-9135 FAX 443-926-9137

TITLE:

BELLEVILLE WASHER #4 STAINLESS

SIZE	DWG. NO.	REV
A	FST-BW-04_belleville washer	A
SCALE: 12:1		WEIGHT:
		SHEET 1 OF 1

A

2

1