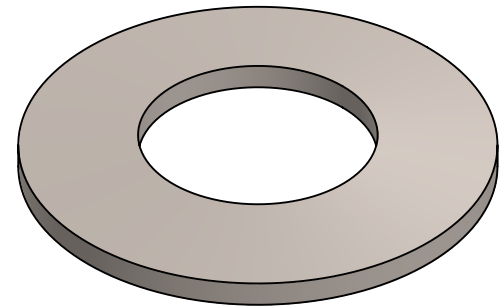
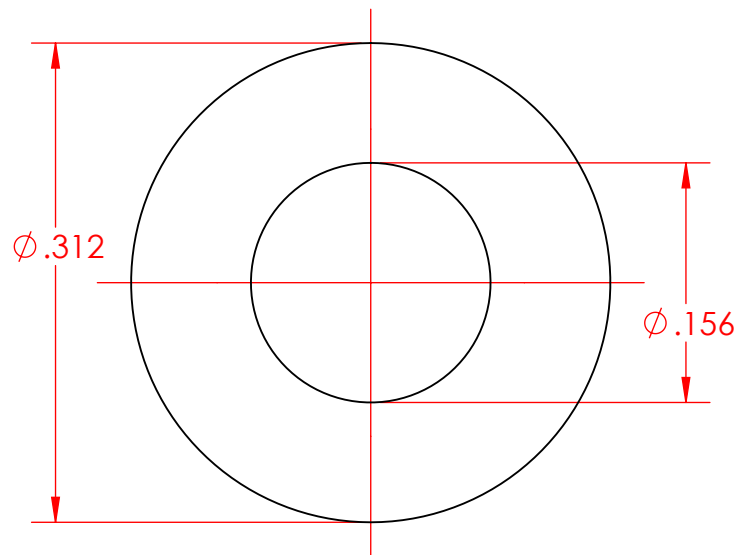
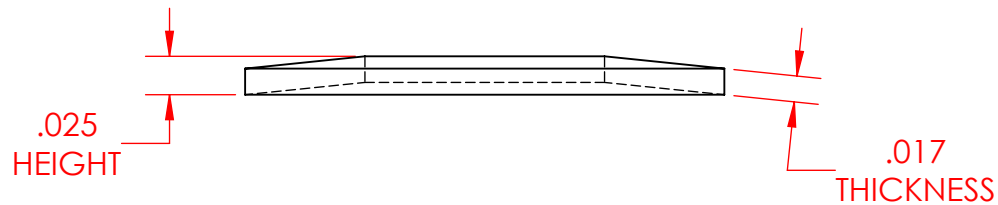


B



B



## NOTES:

- MATERIAL: 302 STAINLESS STEEL

A

**PROPRIETARY AND CONFIDENTIAL**  
 THE INFORMATION CONTAINED IN THIS DRAWING IS THE SOLE PROPERTY OF CUSTOM THERMOELECTRIC, LLC. ANY REPRODUCTION IN PART OR AS A WHOLE WITHOUT THE WRITTEN PERMISSION OF CUSTOM THERMOELECTRIC, LLC IS PROHIBITED.

		UNLESS OTHERWISE SPECIFIED:	NAME	DATE
		DIMENSIONS ARE IN INCHES	DRAWN	MASTERS
		TOLERANCES:	CHECKED	5/29/2017
		FRACTIONAL $\pm 1/32$	ENG APPR.	
		ANGULAR: MACH $\pm 1$ BEND $\pm$	MFG APPR.	
		TWO PLACE DECIMAL $\pm .01$	Q.A.	
		THREE PLACE DECIMAL $\pm .005$	COMMENTS:	
		INTERPRET GEOMETRIC TOLERANCING PER:		
		MATERIAL		
NEXT ASSY	USED ON	FINISH		
APPLICATION		DO NOT SCALE DRAWING		

 **CUSTOM THERMOELECTRIC**  
*Your Thermoelectric Partner*

11941 INDUSTRIAL PARK RD STE 5  
 BISHOPVILLE, MD 21813  
 PH 443-926-9135 FAX 443-926-9137

## TITLE:

**BELLEVILLE WASHER  
 #6 STAINLESS**

SIZE	DWG. NO.	REV
<b>A</b>	FST-BW-06_belleville washer	<b>A</b>
SCALE: 8:1	WEIGHT:	SHEET 1 OF 1

2

1

A

A