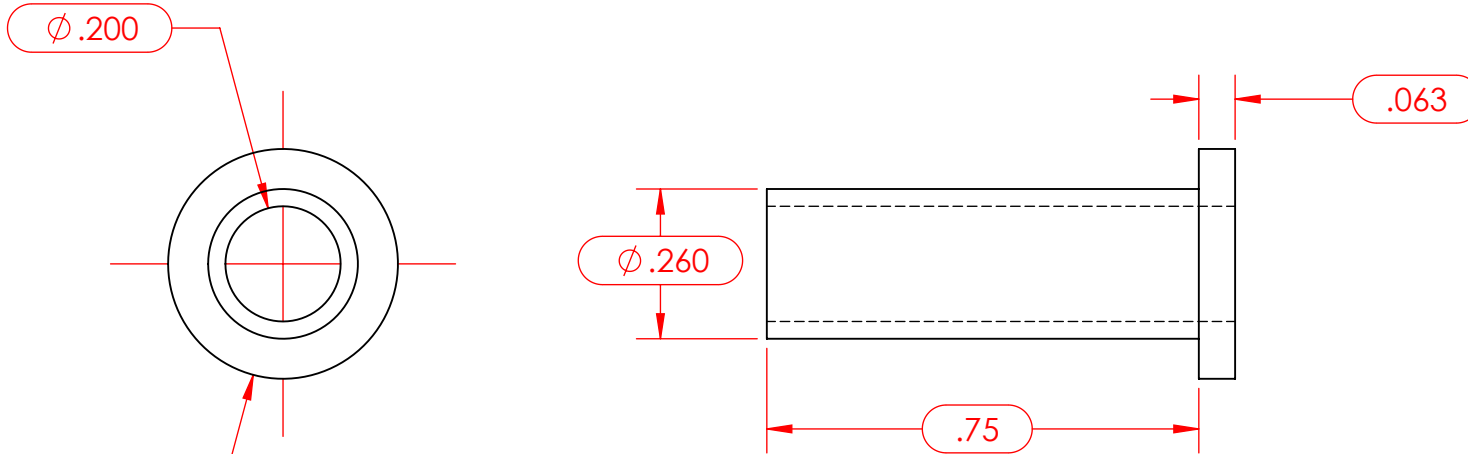
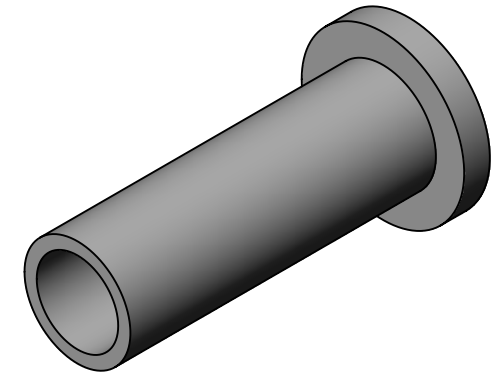


2

1

B

B



NOTES:
 1. MATERIAL: WHITE NYLON

A

A

PROPRIETARY AND CONFIDENTIAL
 THE INFORMATION CONTAINED IN THIS DRAWING IS THE SOLE PROPERTY OF CUSTOM THERMOELECTRIC, LLC. ANY REPRODUCTION IN PART OR AS A WHOLE WITHOUT THE WRITTEN PERMISSION OF CUSTOM THERMOELECTRIC, LLC IS PROHIBITED.

		UNLESS OTHERWISE SPECIFIED:		NAME	DATE
		DIMENSIONS ARE IN INCHES	DRAWN	MASTERS	5/29/2017
		TOLERANCES:	CHECKED		
		FRACTIONAL ± 1/32	ENG APPR.		
		ANGULAR: MACH ± 1	MFG APPR.		
		TWO PLACE DECIMAL ± .01	Q.A.		
		THREE PLACE DECIMAL ± .005	COMMENTS:		
		INTERPRET GEOMETRIC TOLERANCING PER:			
		MATERIAL			
NEXT ASSY	USED ON	FINISH			
APPLICATION		DO NOT SCALE DRAWING			

 **CUSTOM THERMOELECTRIC**
 Your Thermoelectric Partner
 11941 INDUSTRIAL PARK RD STE 5
 BISHOPVILLE, MD 21813
 PH 443-926-9135 FAX 443-926-9137

TITLE:
**SHOULDER WASHER
 #10 NYLON**

SIZE	DWG. NO.	REV
A	FST-SW-10-0.75_shoulder washer	A
SCALE: 2:1	WEIGHT:	SHEET 1 OF 1

2

1