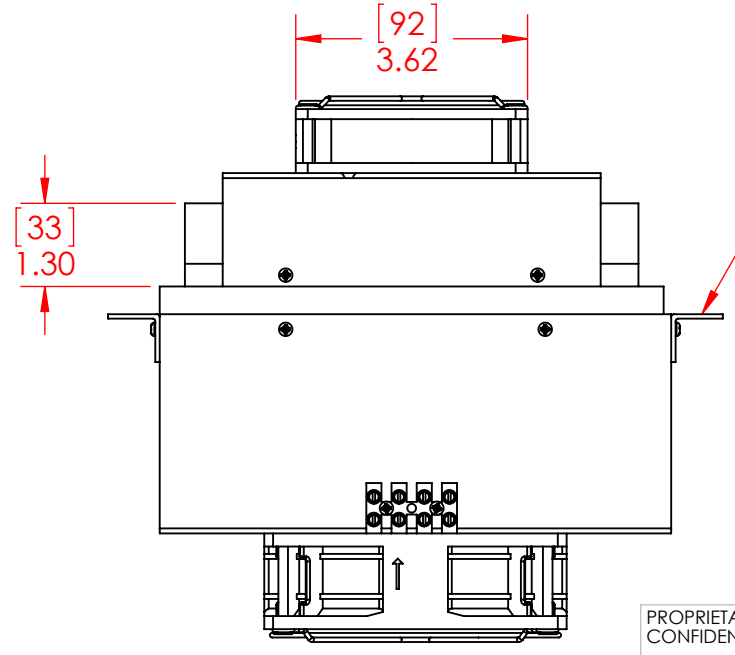
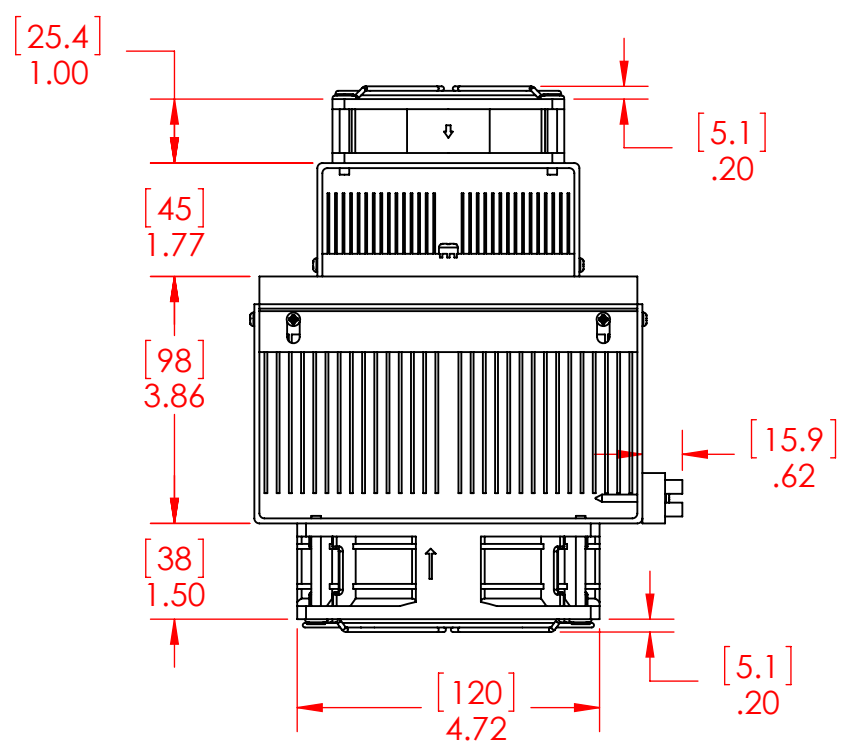
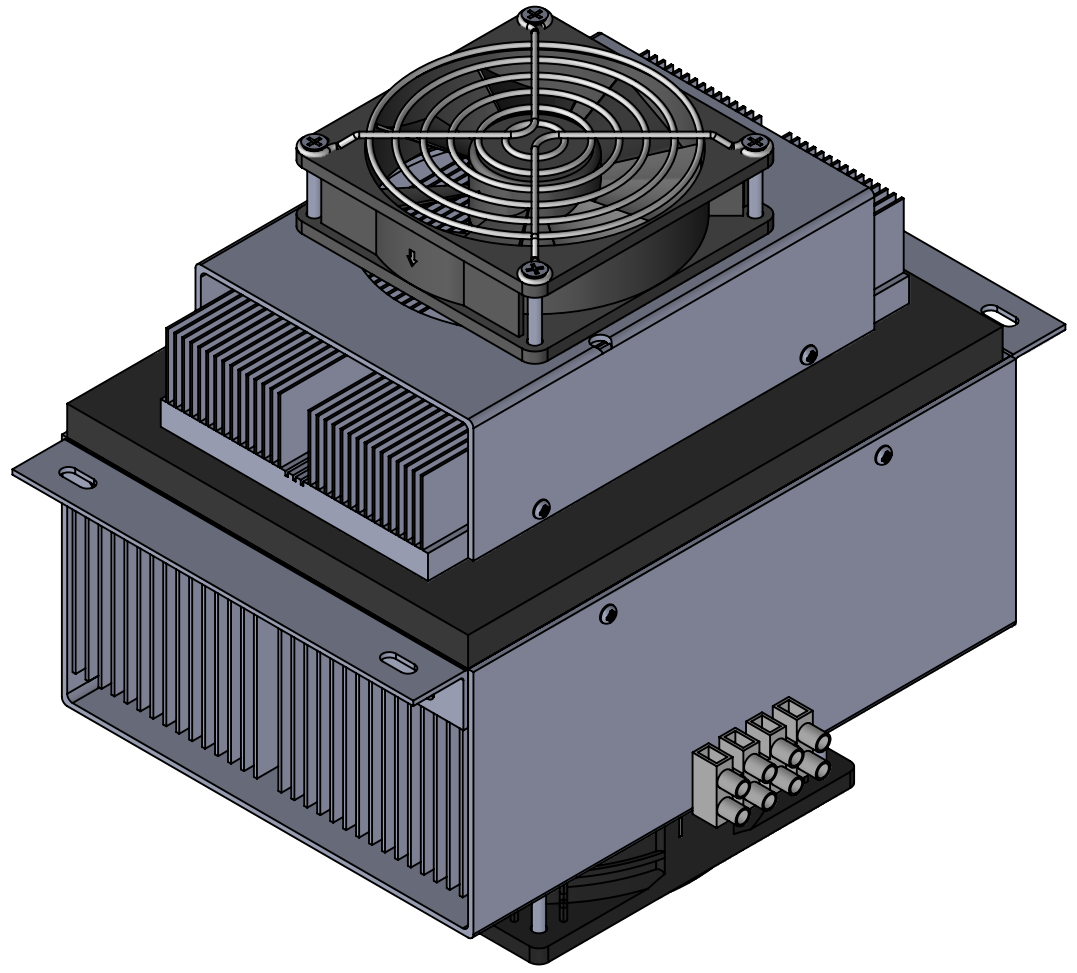
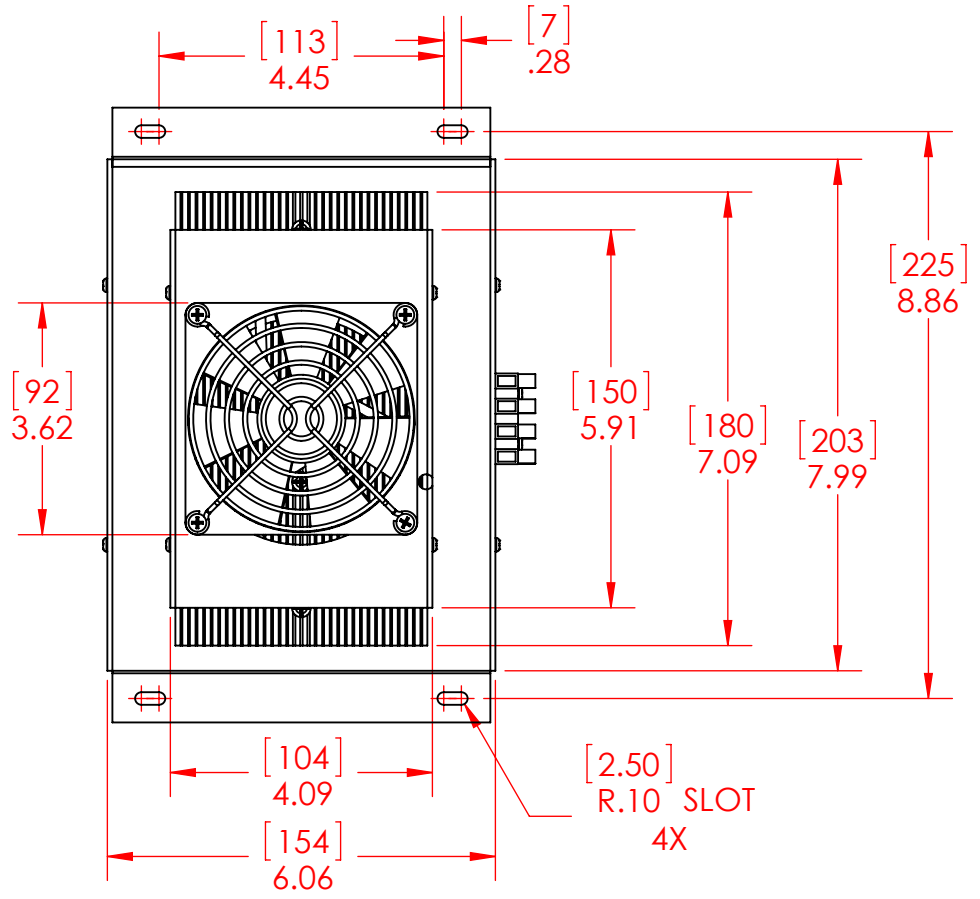


4

3

2

1



NOTES:
1. DIMENSIONS IN INCHES AND [MILLIMETERS]

PROPRIETARY AND CONFIDENTIAL		UNLESS OTHERWISE SPECIFIED:		NAME	DATE	 11941 Industrial Park Road, STE 5 Bishopville, MD 21813
THE INFORMATION CONTAINED IN THIS DRAWING IS THE SOLE PROPERTY OF CUSTOM THERMOELECTRIC, LLC. ANY REPRODUCTION IN PART OR AS A WHOLE WITHOUT THE WRITTEN PERMISSION OF CUSTOM THERMOELECTRIC, LLC IS PROHIBITED.		DIMENSIONS ARE IN INCHES TOLERANCES: FRACTIONAL ±.03 ANGULAR: MACH ±0°30' BEND ±1° TWO PLACE DECIMAL ±.02 THREE PLACE DECIMAL ±.005 SURFACES TO BE PERPENDICULAR WITHIN .005 T.I.R. SURFACES TO BE PARALLEL WITHIN .005 T.I.R. HOLE ANGULAR TOLERANCE ±0°5'		DRAWN	AEM	
		INTERPRET GEOMETRIC TOLERANCING PER: ANSI Y14.5		CHECKED		
		MATERIAL		ENG APPR.		
		FINISH		MFG APPR.		
		DO NOT SCALE DRAWING		Q.A.		
				COMMENTS:		
				TITLE:		TEC ASSEMBLY AIR TO AIR 80 WATTS
				SIZE	DWG. NO.	REV
				B	ATA-080-24	A
				SCALE: 1:4	WEIGHT:	SHEET 1 OF 1

REV.	DATE	DESCRIPTION	REV.	DATE	DESCRIPTION
A	5/22/2017	INITIAL RELEASE			

4

3

2

1

B

B

A

A