

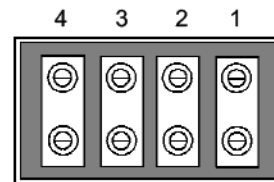
# ATA-080-24



## ATA-080-24

ATA-080-24 is a thermoelectric based air conditioner (heat exchanger) designed for electronic cabinets, refrigeration, and environmental chambers. It can cool to 40C below ambient or maintain ambient temperatures while removing up to 80 watts (280 Btu/Hr) of heat. Thermoelectric air to air assemblies are an excellent choice for removing heat because they are virtually maintenance free, with no filter changing or other routine upkeep issues. They can be mounted in almost any orientation which offers design flexibility and solid state reliability.

### Wiring Schematic (Power Connector)



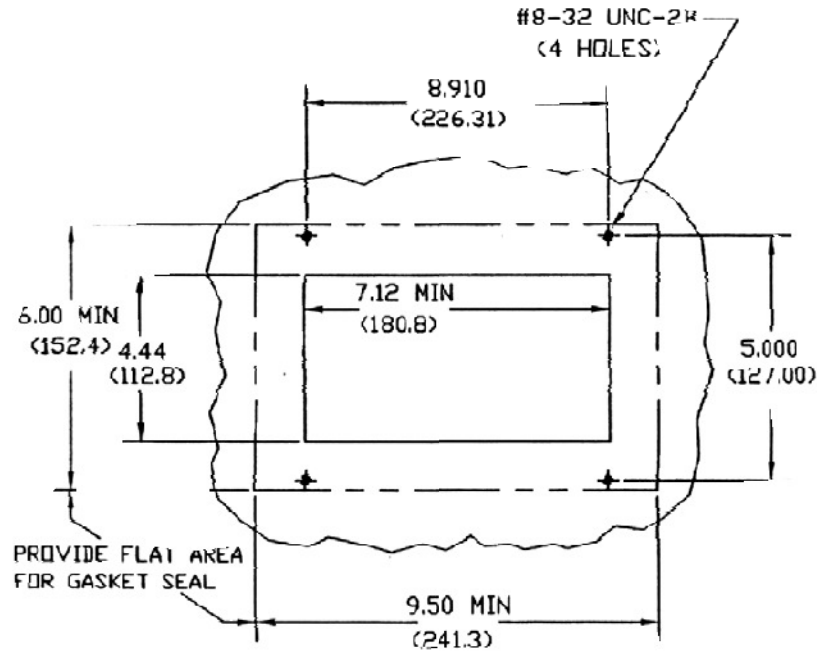
Position	Description
1	TEC +
2	TEC -
3	FAN +
4	FAN -

## ATA-080-24

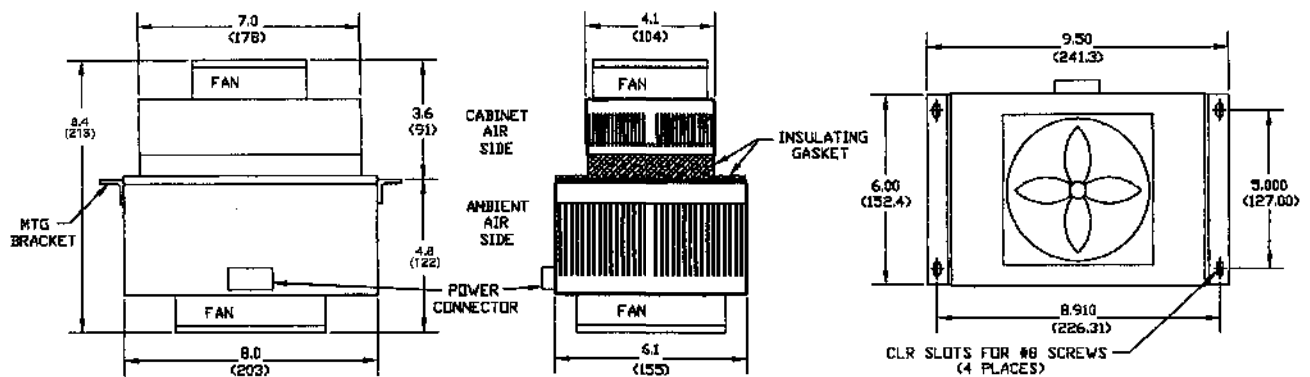
### 1 – Specification:

Specification:	1	2
Model:	ATA-080-12	ATA-080-24
Description	Air to Air cooling System	Air to Air cooling System
Capacity- Qmax	100 Watts	80 Watts
Input Voltage	12 VDC	24 VDC
Working. Ambient Temp.	-10 to 70 C	-10 to 70 C
TEM Current (Running)	15.0 amps	4.5+/-10%amps
TEM Current (Start)	13.8amps	5.3amps
Hot Side Fans Current	0.52 amps	0.35 amps
Cold Side Fans Current	0.45 amps	0.25 amps
Weight	Est. 2.8 kg	Est. 2.8 kg
Rating Maintained	NEMA 12	NEMA 12
Overall Dimensions	203mm x 155mm x 213mm	203mm x 155mm x 213mm

## 2 - Installation Method and Cutout Dimension (in mm)



## 3 - Dimensional Drawing (in mm)



## 4 – Performance Curve

