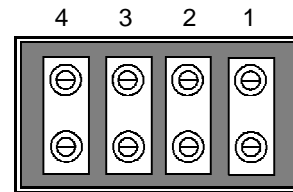




## ATL-050-12

The ATL-050-12 Thermoelectric air to Liquid are designed for electronic liquid cooling. They can cool to 72°F below ambient or maintain ambient temperatures while removing up to 50W. These models are available in 12 or 24 VDC configurations.

### Wiring Schematic (Power Connector)



Model ATL-050-12

Position	Description
1	TEC +
2	TEC -
3	FAN +
4	FAN -

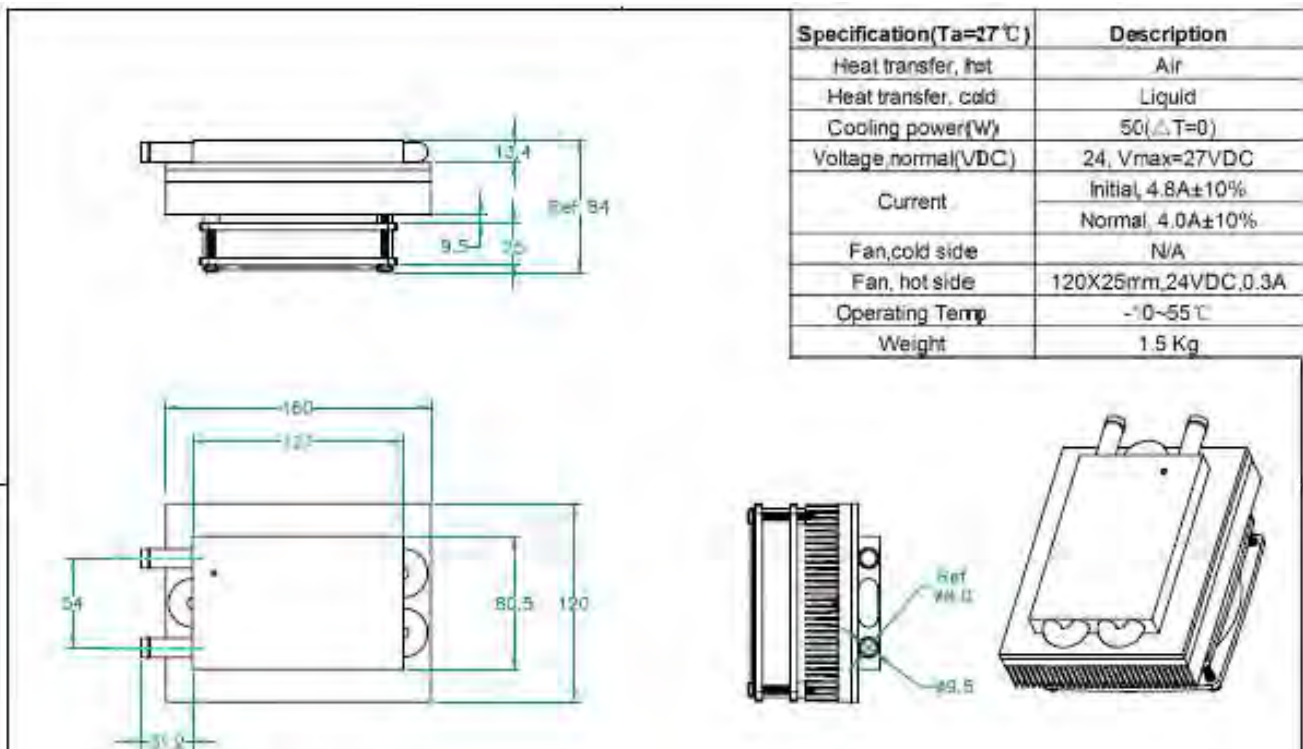
### Specification:

<b>Model</b>	<b>ATL050-12/24VDC</b>
Cooling Method	air to fluid
Cooling Objective	Purified water
Cooling objective Contact Part	Aluminum, partially copper
Cooling Capacity (*1)	50W
Fan Input Voltage	12/24VDC
Peltier Input Voltage	12/24VDC
Rated Consumption Current (*2)	8.7A@12v 4.4A@24v
Starting Current (*3)	10.2A@12v 5.1A@24v
Working Humidity	Below 80%
Max Ambient Temperature	60°C
Overheat protection	no
Electrical Connection	Screw
Noise	39 dB
Site of Use	Indoor
Outer diameter of Pipe Connecting Port	dia 9.5mm
Dimensions (*4)	160x120x84mm
Mass of Main Unit	est. 1.5kgs

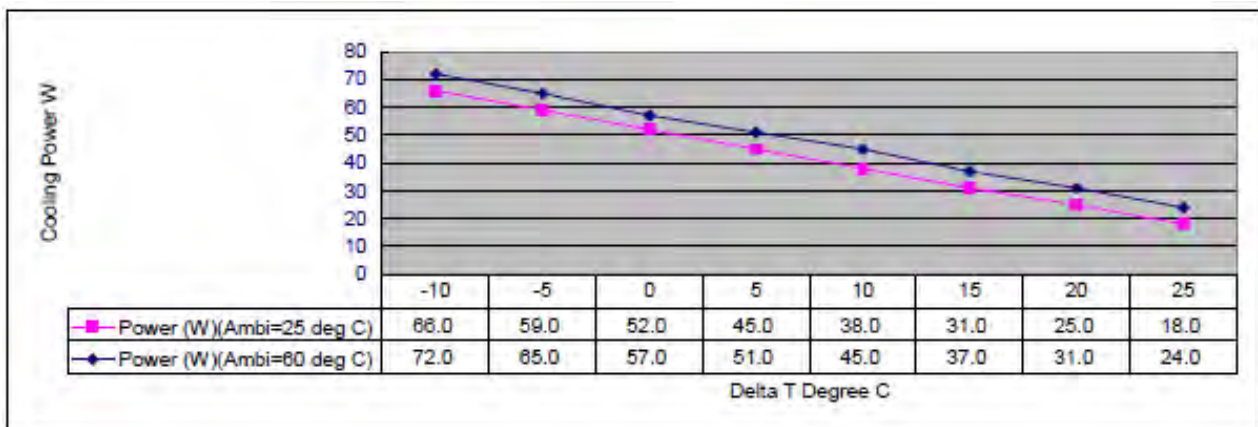
Remarks:

- \*1 Ambient temperature at 25 degree.
- \*2 Ambient temperature at stable 25 degree.
- \*3 Ambient temperature at stable 25 degree
- \*4 Terminal board and other projected parts are excluded.

Dimensional Drawing (mm)



Performance Curve:



Delta T (T ambient - T Cabinet, degree C)