

4

3

2

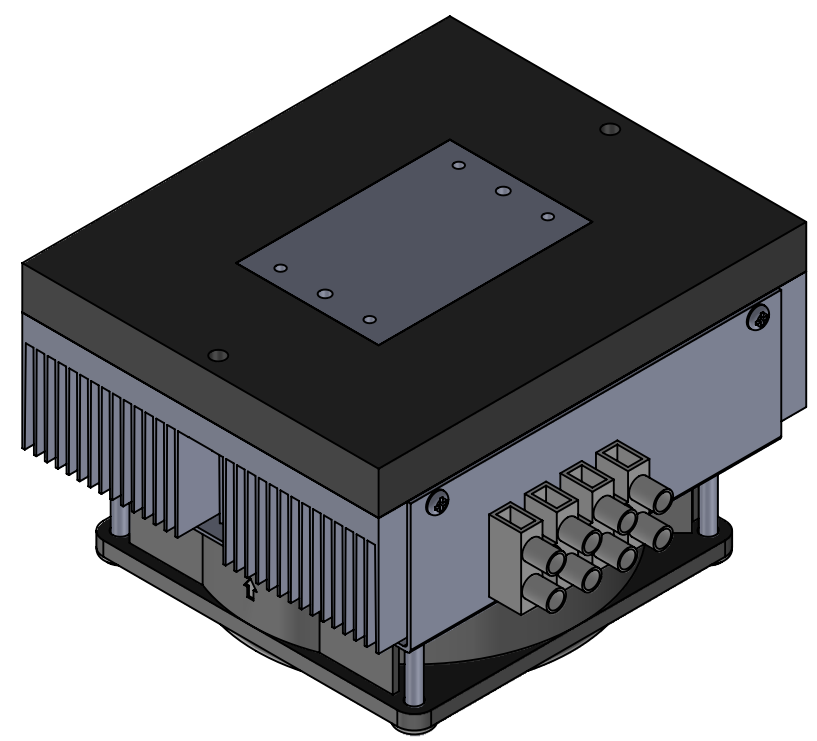
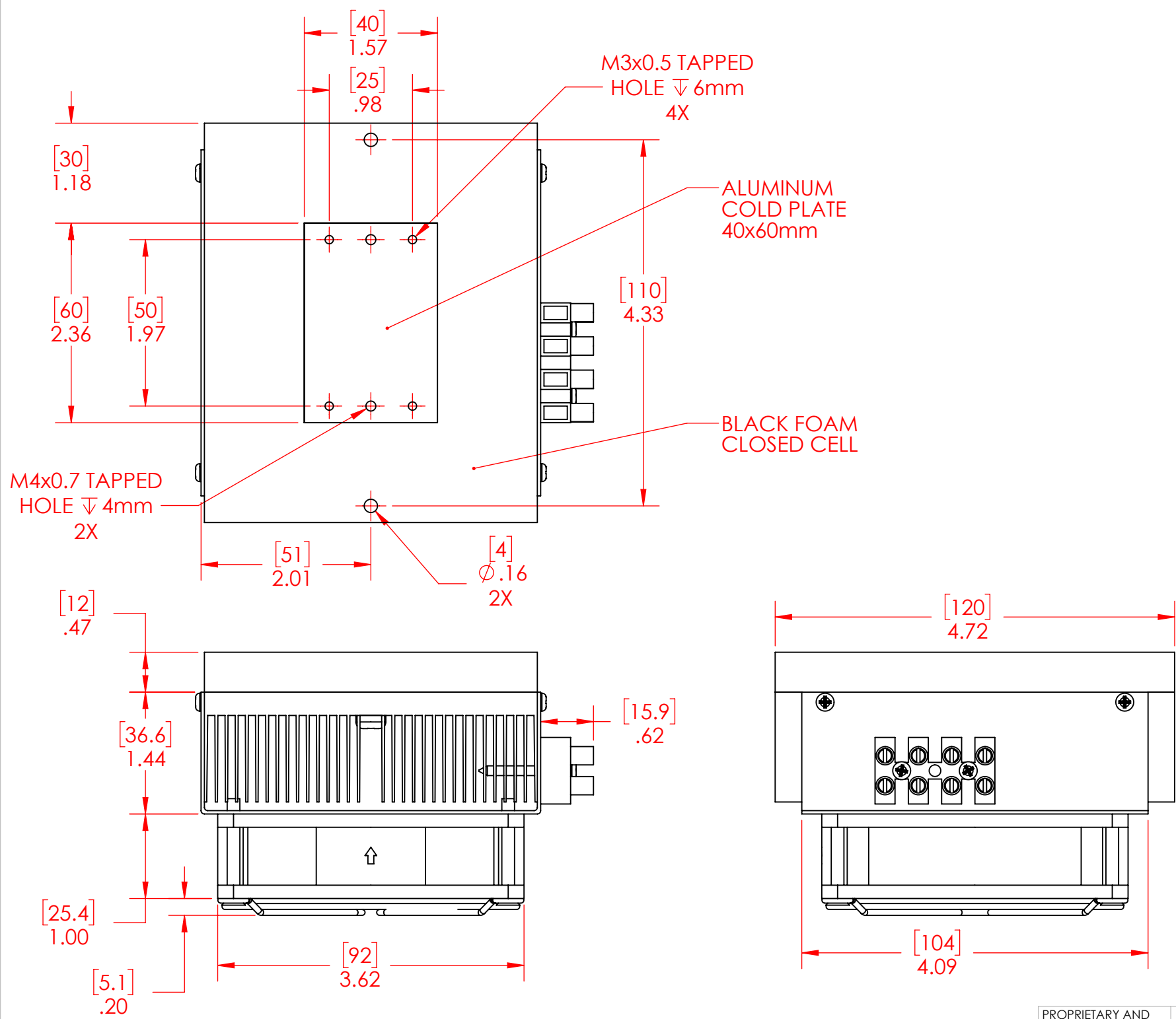
1

B

B

A

A



NOTES:  
1. DIMENSIONS IN INCHES AND [MILLIMETERS]

PROPRIETARY AND CONFIDENTIAL  
THE INFORMATION CONTAINED IN THIS DRAWING IS THE SOLE PROPERTY OF CUSTOM THERMOELECTRIC, LLC. ANY REPRODUCTION IN PART OR AS A WHOLE WITHOUT THE WRITTEN PERMISSION OF CUSTOM THERMOELECTRIC, LLC IS PROHIBITED.

UNLESS OTHERWISE SPECIFIED:  
DIMENSIONS ARE IN INCHES  
TOLERANCES:  
FRACTIONAL ±.03  
ANGULAR: MACH ±0°30' BEND ±1°  
TWO PLACE DECIMAL ±.02  
THREE PLACE DECIMAL ±.005  
SURFACES TO BE PERPENDICULAR WITHIN .005 T.I.R.  
SURFACES TO BE PARALLEL WITHIN .005 T.I.R.  
HOLE ANGULAR TOLERANCE ±0°5'  
INTERPRET GEOMETRIC TOLERANCING PER: ANSI Y14.5

MATERIAL

FINISH

DO NOT SCALE DRAWING

|           | NAME | DATE      |
|-----------|------|-----------|
| DRAWN     | AEM  | 5/22/2017 |
| CHECKED   |      |           |
| ENG APPR. |      |           |
| MFG APPR. |      |           |
| Q.A.      |      |           |
| COMMENTS: |      |           |

**CUSTOM THERMOELECTRIC**  
Your Thermoelectric Partner  
11941 Industrial Park Road, STE 5  
Bishopville, MD 21813

|   |                               |                 |
|---|-------------------------------|-----------------|
| TITLE:<br><b>TEC ASSEMBLY<br/>AIR TO PLATE<br/>40 WATTS</b> |                               |                 |
| SIZE<br><b>B</b>  | DWG. NO.<br><b>ATP-040-12</b> | REV<br><b>A</b> |
| SCALE: 1:2  | WEIGHT:                       | SHEET 1 OF 1    |

| REV. | DATE      | DESCRIPTION     | REV. | DATE | DESCRIPTION |
|------|-----------|-----------------|------|------|-------------|
| A    | 5/22/2017 | INITIAL RELEASE |      |      |             |

4

3

2

1