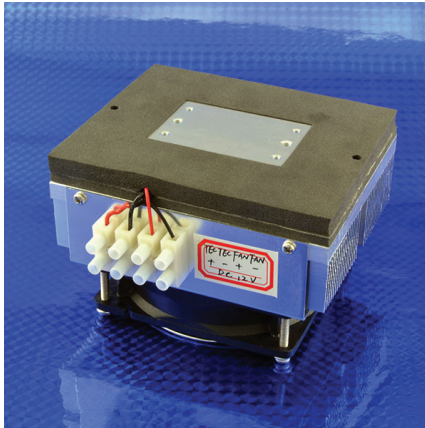


ATP-040-12

ATP-040-12 air to plate heat exchangers are designed for cooling electronics, mini cabinets, mini environmental chambers, and any material placed on the cold plate. They can cool to 72F below ambient or maintain temperatures while removing up to 40 watts of heat. The assembly uses 12 volts DC. These assemblies are almost maintenance free, with no filters to change, can be mounted in any orientation, and offer solid state reliability.



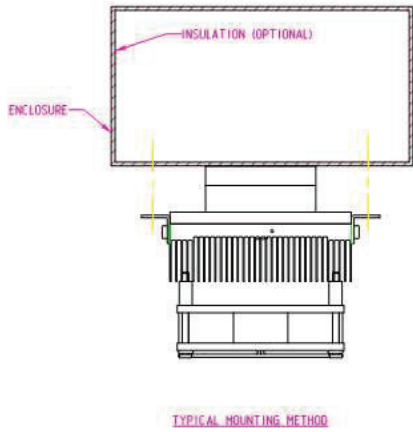
1 – Power Connector:

Position	Description
1	TEC +
2	TEC -
3	FAN +
4	FAN -

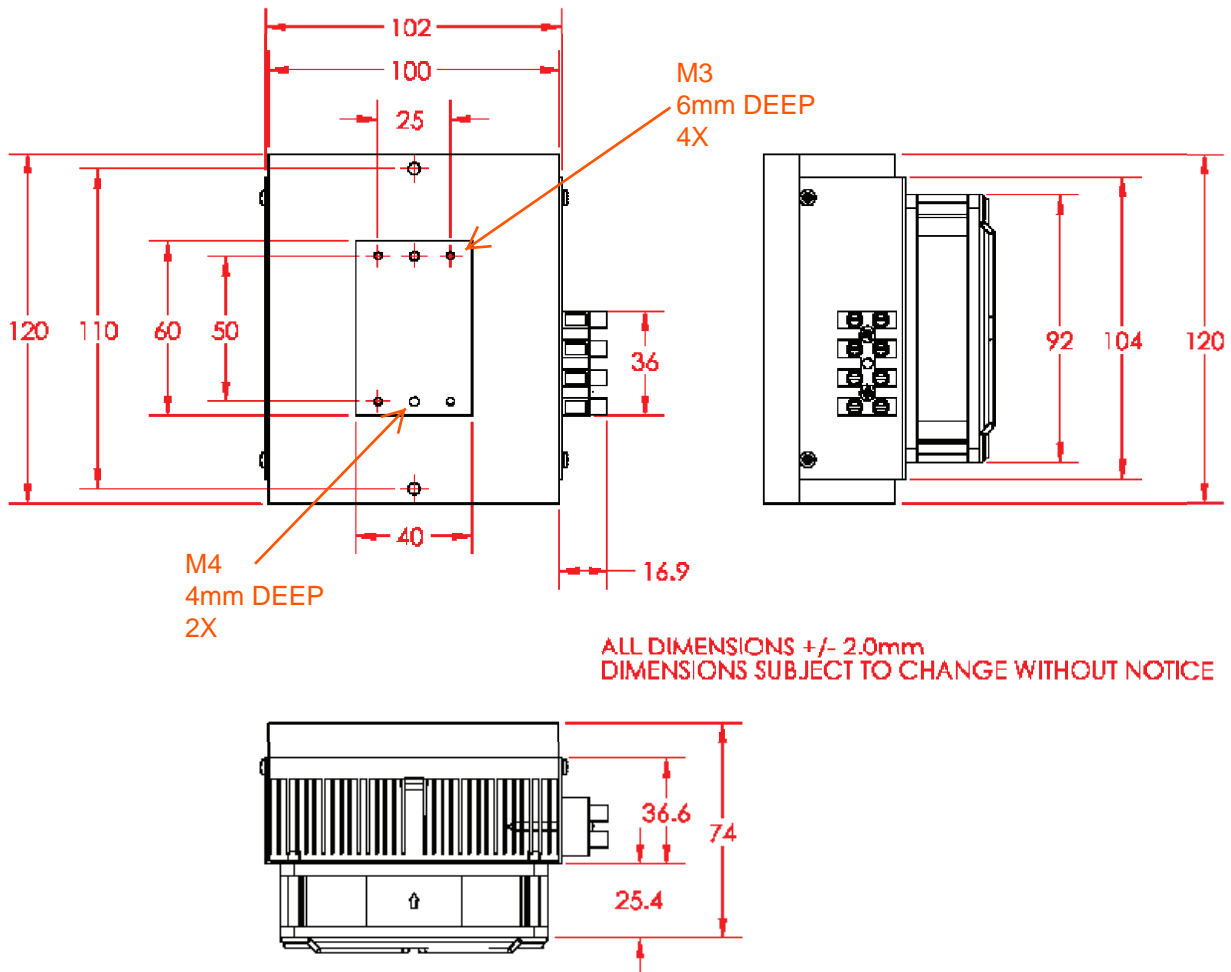
2 - Specification:

Item:	#1
Part Number	ATP-040-12
Description	Air to Plate cooling system
Cool Power	40 Watts
Input Voltage	12 VDC
Ambient Temperature	-10 to 70C
TEC Current	4.1A
Peak Current	4.9A
Weight	0.8kg
Dimension (LXWXH)	122x100x82mm

3 - Installation (in mm):



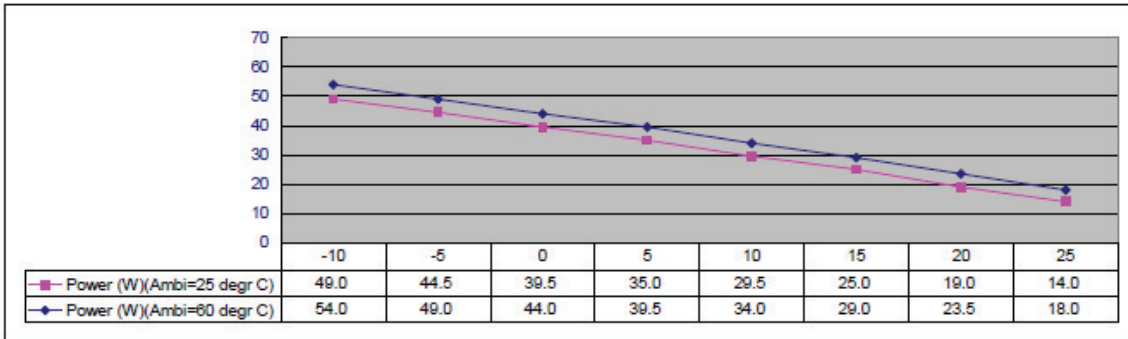
4 – Product dimension (in mm):



5 – Performance Curve:

ATP040-12 TEC conditioner Performance Curve

Delta T (T ambient- T Cabinet, degree C)	-10	-5	0	5	10	15	20	25
Power (W) (Ambi=25 degr C)	49.0	44.5	39.5	35.0	29.5	25.0	19.0	14.0
Power (W) (Ambi=60 degr C)	54.0	49.0	44.0	39.5	34.0	29.0	23.5	18.0



Delta T (T ambient- T Cabinet, degree C)