

4

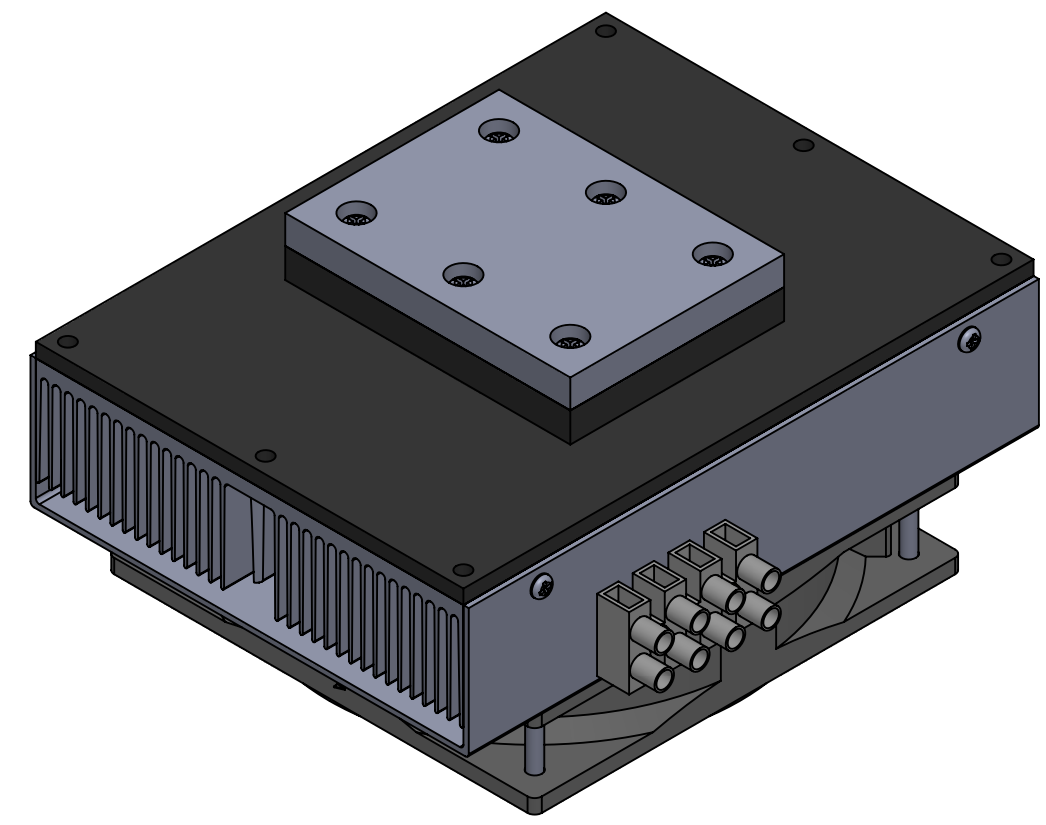
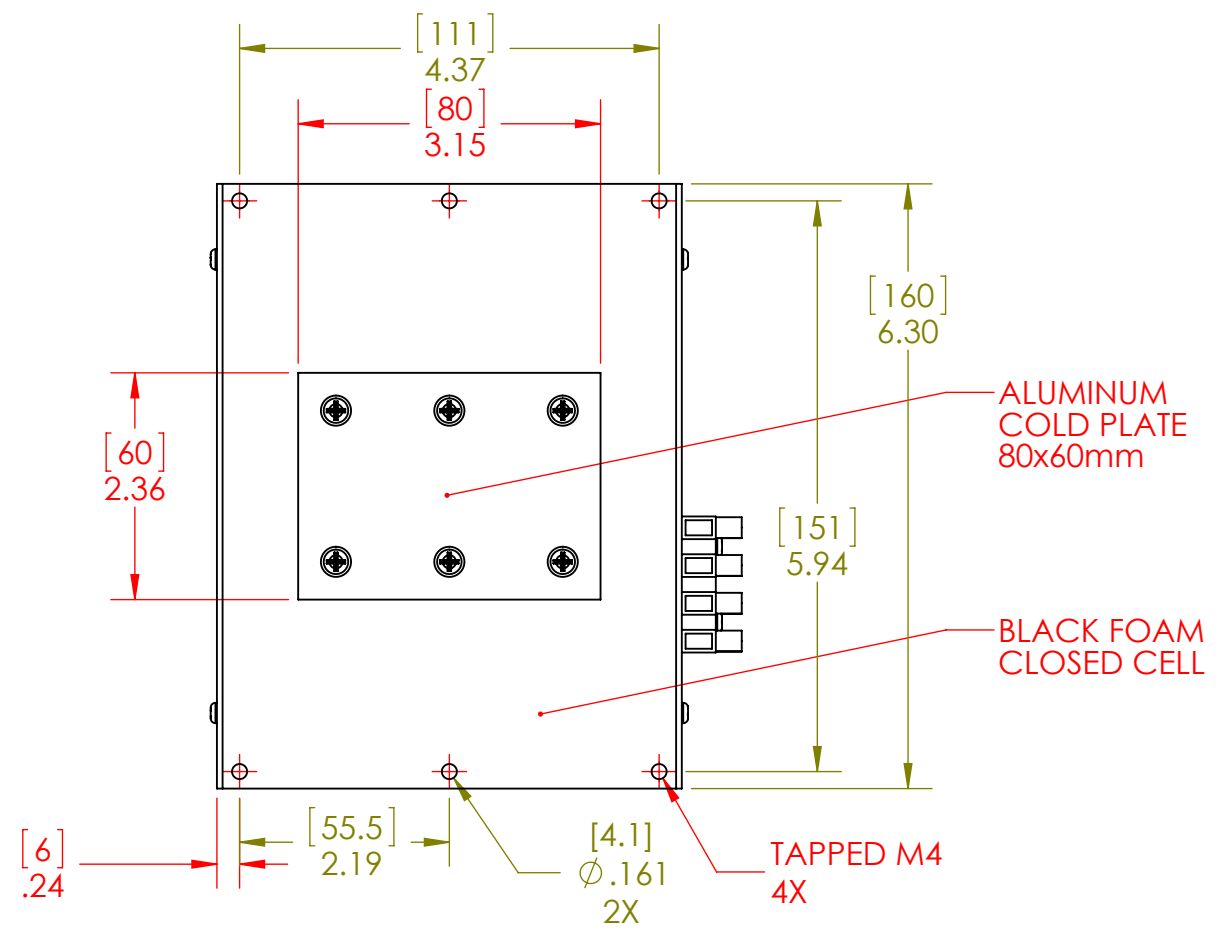
3

2

1

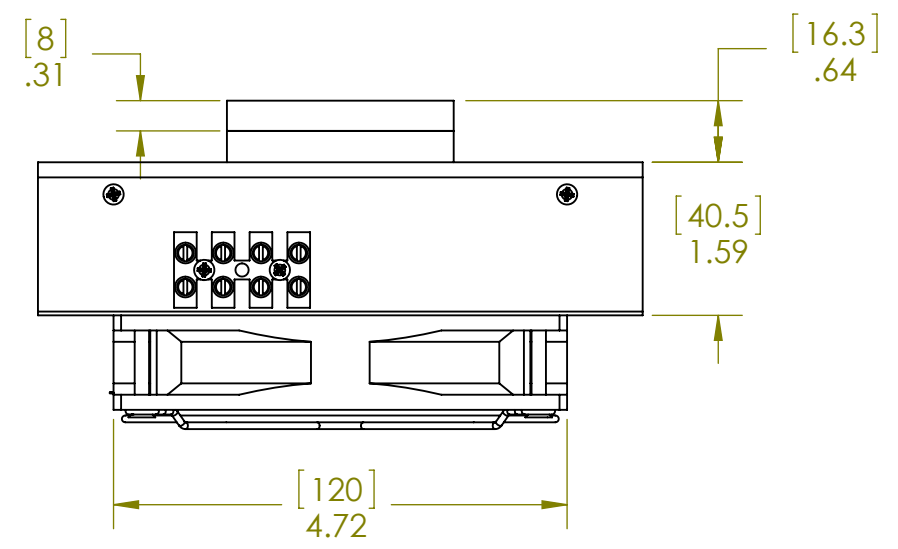
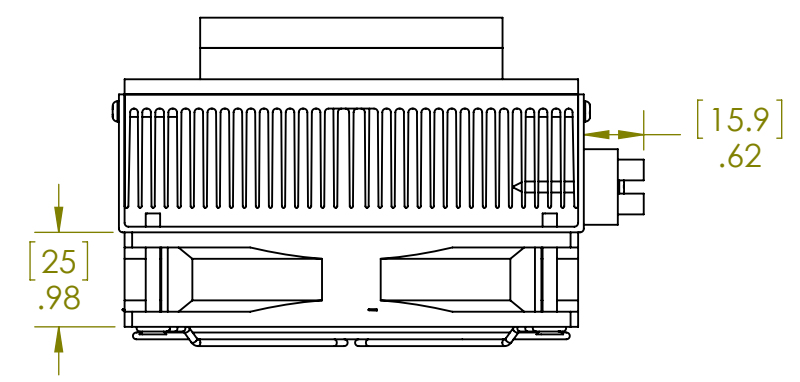
B

B



A

A



NOTES:
1. DIMENSIONS IN INCHES AND [MILLIMETERS]

PROPRIETARY AND CONFIDENTIAL		UNLESS OTHERWISE SPECIFIED:		NAME	DATE	 11941 Industrial Park Road, STE 5 Bishopville, MD 21813
THE INFORMATION CONTAINED IN THIS DRAWING IS THE SOLE PROPERTY OF CUSTOM THERMOELECTRIC, LLC. ANY REPRODUCTION IN PART OR AS A WHOLE WITHOUT THE WRITTEN PERMISSION OF CUSTOM THERMOELECTRIC, LLC IS PROHIBITED.		DIMENSIONS ARE IN INCHES TOLERANCES: FRACTIONAL ±.03 ANGULAR: MACH ±0°30' BEND ±1° TWO PLACE DECIMAL ±.02 THREE PLACE DECIMAL ±.005 SURFACES TO BE PERPENDICULAR WITHIN .005 T.I.R. SURFACES TO BE PARALLEL WITHIN .005 T.I.R. HOLE ANGULAR TOLERANCE ±0°5'		DRAWN	AEM	
		MATERIAL		CHECKED		
		FINISH		ENG APPR.		
		DO NOT SCALE DRAWING		MFG APPR.		
				Q.A.		
				COMMENTS:		
				TITLE:		TEC ASSEMBLY AIR TO PLATE 50 WATTS
				SIZE	DWG. NO.	REV
				B	ATP-050-12	A
				SCALE: 1:2	WEIGHT:	SHEET 1 OF 1

REV.	DATE	DESCRIPTION	REV.	DATE	DESCRIPTION
A	5/22/2017	INITIAL RELEASE			

4

3

2

1