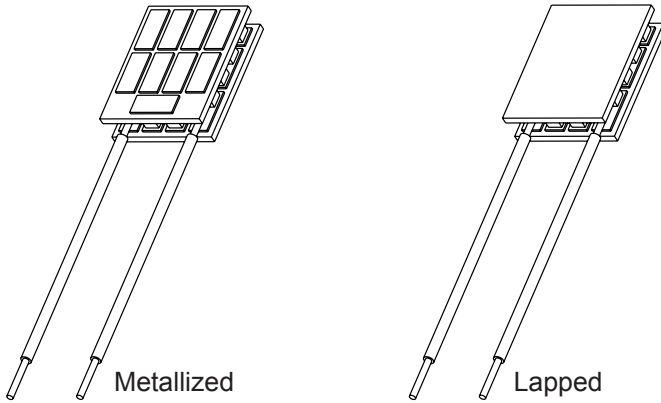


# TEC Specification Sheet

Part #	I <sub>max</sub> (Amps)	Q <sub>max</sub> (Watts)	V <sub>max</sub> (Volts)	DT <sub>max</sub> (°C)	T <sub>max</sub> (°C)
<b>00901-9L31-09BF1F4</b>	9.0	5.3	1.2	67°C	200°C



### Custom Options:

Call for custom wire types and other custom options.

### Notes:

Typical power input is 40% to 80% of I<sub>max</sub>  
 Maximum Waste Heat (exiting the hot side) at 100% input power, I=I<sub>max</sub>, V=V<sub>max</sub> is;  
 $(I_{max} * V_{max}) + Q_{max} = 16.1 \text{ watts}$   
 Use of a properly sized heat sink or water block is required to remove waste heat.

Bottom Plate				Top Plate				Metallized Height		Lapped Height	
A		B		C		D		H		H	
mm	in	mm	in	mm	in	mm	in	mm	in	mm	in
15.75	0.62	19.05	0.75	15.75	0.62	19.05	0.75	5.28	0.208	4.70	0.185

