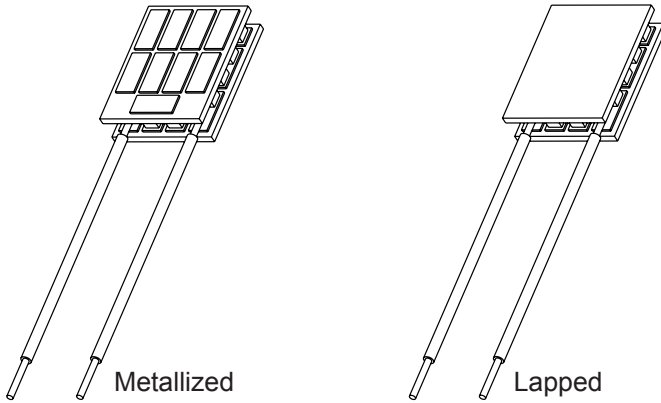


TEC Specification Sheet

Part #	I _{max} (Amps)	Q _{max} (Watts)	V _{max} (Volts)	DT _{max} (°C)	T _{max} (°C)
00901-9L31-12BF1F4	12.0	7.09	1.2	67°C	200°C



Custom Options:

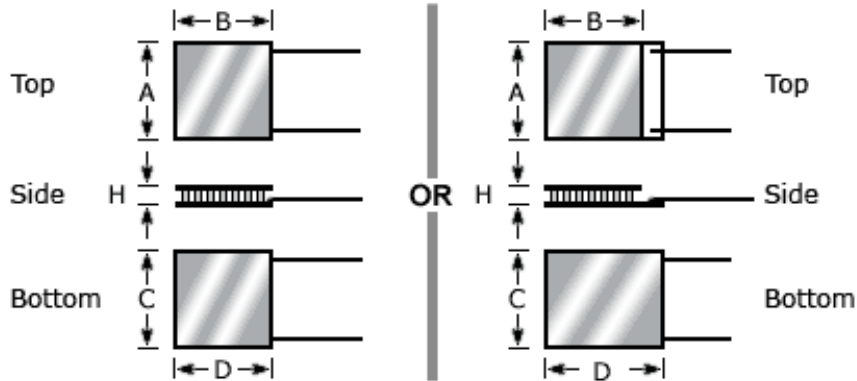
Call for custom wire types and other custom options.

Notes:

Typical power input is 40% to 80% of I_{max}
 Maximum Waste Heat (exiting the hot side) at 100% input power, I=I_{max}, V=V_{max} is;
 $(I_{max} * V_{max}) + Q_{max} = 21.49 \text{ watts}$
 Use of a properly sized heat sink or water block is required to remove waste heat.

Bottom Plate				Top Plate				Metallized Height		Lapped Height	
A		B		C		D		H		H	
mm	in	mm	in	mm	in	mm	in	mm	in	mm	in
15.75	0.62	19.05	0.75	15.75	0.62	19.05	0.75	4.70	0.185	4.19	0.165

Weight (w/o leads)
- grams



Tolerances (typical)
 A, B, C, D = ±0.25mm (±0.01")
 H = ±0.15mm (±0.006")

