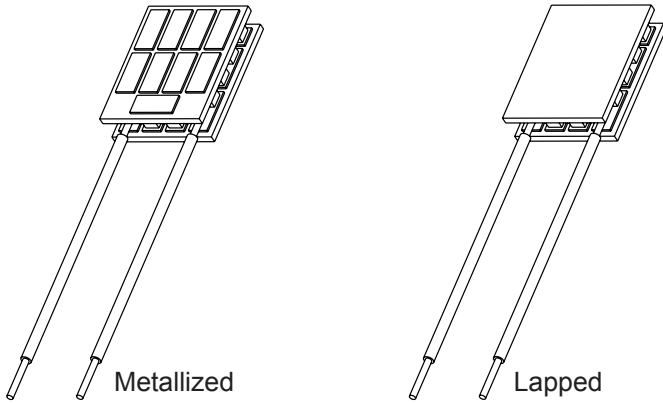


# TEC Specification Sheet

Part #	I <sub>max</sub> (Amps)	Q <sub>max</sub> (Watts)	V <sub>max</sub> (Volts)	DT <sub>max</sub> (°C)	T <sub>max</sub> (°C)
<b>00901-9P31-14BF1F4</b>	14.0	8.27	1.2	67°C	200°C



### Custom Options:

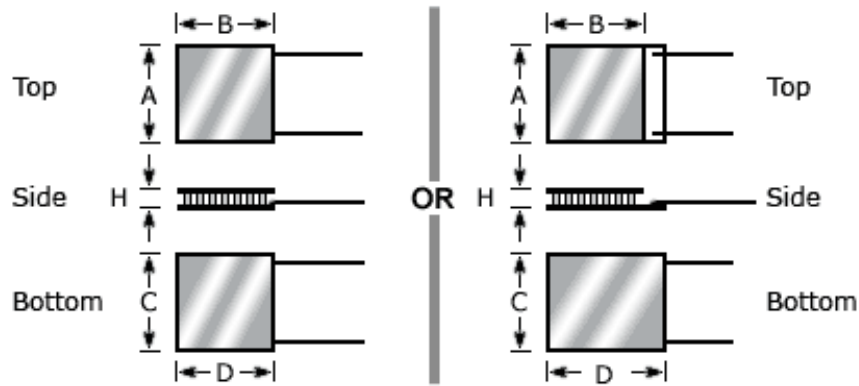
Call for custom wire types and other custom options.

### Notes:

Typical power input is 40% to 80% of I<sub>max</sub>  
 Maximum Waste Heat (exiting the hot side) at 100% input power, I=I<sub>max</sub>, V=V<sub>max</sub> is;  
 $(I_{max} * V_{max}) + Q_{max} = 25.07 \text{ watts}$   
 Use of a properly sized heat sink or water block is required to remove waste heat.

Bottom Plate				Top Plate				Metallized Height		Lapped Height	
A		B		C		D		H		H	
mm	in	mm	in	mm	in	mm	in	mm	in	mm	in
15.75	0.62	19.05	0.75	15.75	0.62	19.05	0.75	5.28	0.208	4.70	0.185

Weight (w/o leads)  
 - grams



Tolerances (typical)  
 A, B, C, D = ±0.25mm (±0.01")  
 H = ±0.15mm (±0.006")

