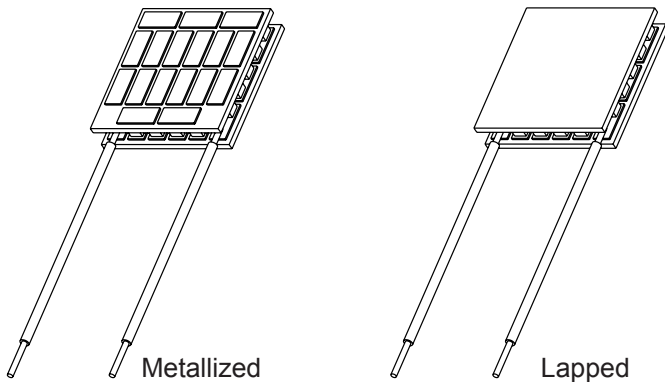


TEC Specification Sheet

| Part # | I _{max} (Amps) | Q _{max} (Watts) | V _{max} (Volts) | DT _{max} (°C) | T _{max} (°C) |
|------------------------|-------------------------|--------------------------|--------------------------|------------------------|-----------------------|
| 01701-9L31-06BJ | 6.0 | 6.7 | 2.2 | 67°C | 200°C |



Custom Options:

Call for custom wire types and other custom options.

Notes:

Typical power input is 40% to 80% of I_{max}
 Maximum Waste Heat (exiting the hot side) at 100% input power, I=I_{max}, V=V_{max} is;
 $(I_{max} * V_{max}) + Q_{max} = 19.9 \text{ watts}$
 Use of a properly sized heat sink or water block is required to remove waste heat.

| Bottom Plate | | | | Top Plate | | | | Metallized Height | | Lapped Height | |
|--------------|------|-------|------|-----------|------|-------|------|-------------------|-------|---------------|-------|
| A | | B | | C | | D | | H | | H | |
| mm | in | mm | in | mm | in | mm | in | mm | in | mm | in |
| 23.11 | 0.91 | 23.11 | 0.91 | 23.11 | 0.91 | 23.11 | 0.91 | 4.70 | 0.185 | 4.19 | 0.165 |

