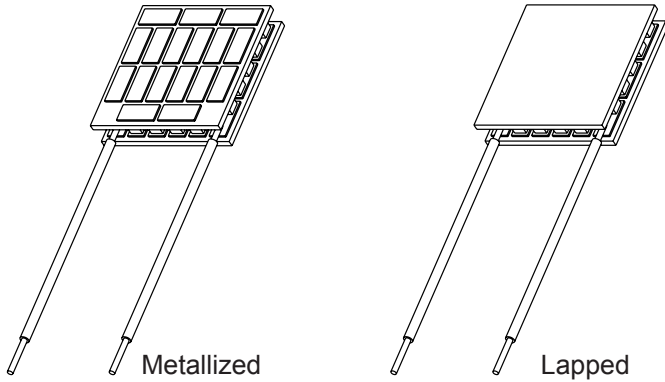


TEC Specification Sheet

Part #	I _{max} (Amps)	Q _{max} (Watts)	V _{max} (Volts)	DT _{max} (°C)	T _{max} (°C)
01701-9L31-09BJ	9.0	10.1	2.2	67°C	200°C



Custom Options:

Call for custom wire types and other custom options.

Notes:

Typical power input is 40% to 80% of I_{max}
 Maximum Waste Heat (exiting the hot side) at 100% input power, I=I_{max}, V=V_{max} is;
 $(I_{max} * V_{max}) + Q_{max} = 29.9 \text{ watts}$
 Use of a properly sized heat sink or water block is required to remove waste heat.

Bottom Plate				Top Plate				Metallized Height		Lapped Height	
A		B		C		D		H		H	
mm	in	mm	in	mm	in	mm	in	mm	in	mm	in
23.11	0.91	23.11	0.91	23.11	0.91	23.11	0.91	5.28	0.208	4.70	0.185

