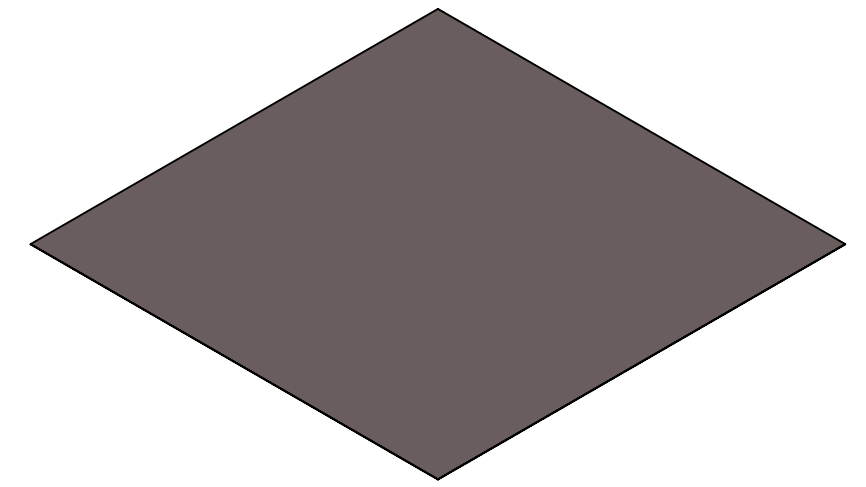
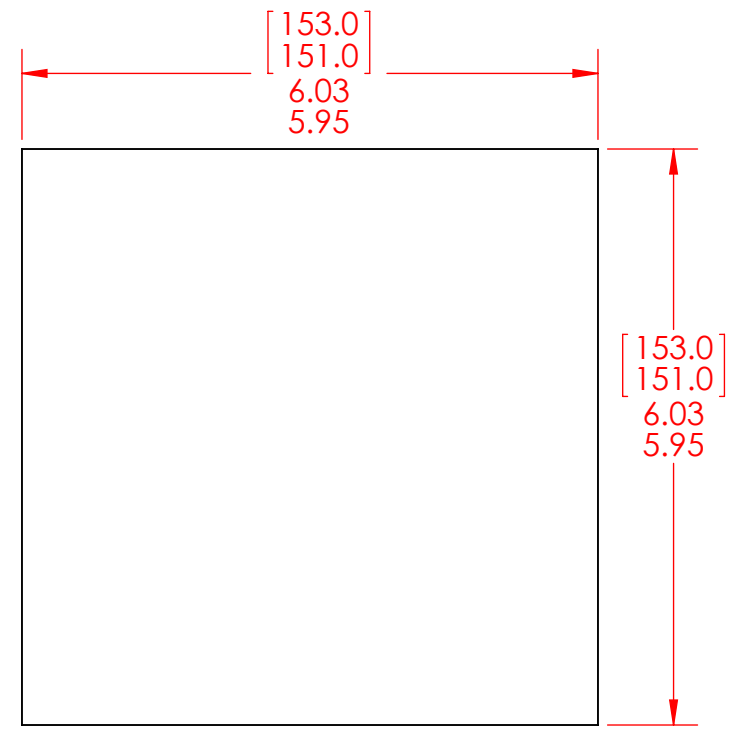


4

3

2

1



- NOTES:**
- MATERIAL: GRAFTECH HITHERM eGRAF THERMAL INTERFACE MATERIAL**
  - ADHESIVE COATING ON ONE SIDE ONLY. SUPPLIED WITH REMOVEABLE PROTECTIVE LINER**

PROPRIETARY AND CONFIDENTIAL  
 THE INFORMATION CONTAINED IN THIS DRAWING IS THE SOLE PROPERTY OF CUSTOM THERMOELECTRIC, LLC. ANY REPRODUCTION IN PART OR AS A WHOLE WITHOUT THE WRITTEN PERMISSION OF CUSTOM THERMOELECTRIC, LLC IS PROHIBITED.

UNLESS OTHERWISE SPECIFIED:  
 DIMENSIONS ARE IN INCHES  
 TOLERANCES:  
 FRACTIONAL ±.03  
 ANGULAR: MACH ±0°30' BEND ±1°  
 TWO PLACE DECIMAL ±.01  
 THREE PLACE DECIMAL ±.005  
 SURFACES TO BE PERPENDICULAR WITHIN .005 T.I.R.  
 SURFACES TO BE PARALLEL WITHIN .005 T.I.R.  
 HOLE ANGULAR TOLERANCE ±0°5'  
 INTERPRET GEOMETRIC TOLERANCING PER: ANSI Y14.5

	NAME	DATE
DRAWN	AEM	5/16/2017
CHECKED		
ENG APPR.		
MFG APPR.		
Q.A.		
COMMENTS:		

**CUSTOM THERMOELECTRIC** 11941 Industrial Park  
 Your Thermoelectric Partner Road, STE 5  
 Bishopville, MD 21813

TITLE: **GRAPHITE FOIL THERMAL INTERFACE MATERIAL**  
**152 x 152mm**

SIZE	DWG. NO.	REV
<b>B</b>	<b>TF-150150</b>	<b>A</b>

SCALE: 1:2 WEIGHT: SHEET 1 OF 1

REV.	DATE	DESCRIPTION	REV.	DATE	DESCRIPTION
A	5/16/2017	INITIAL RELEASE			

4

3

2

1

B

B

A

A