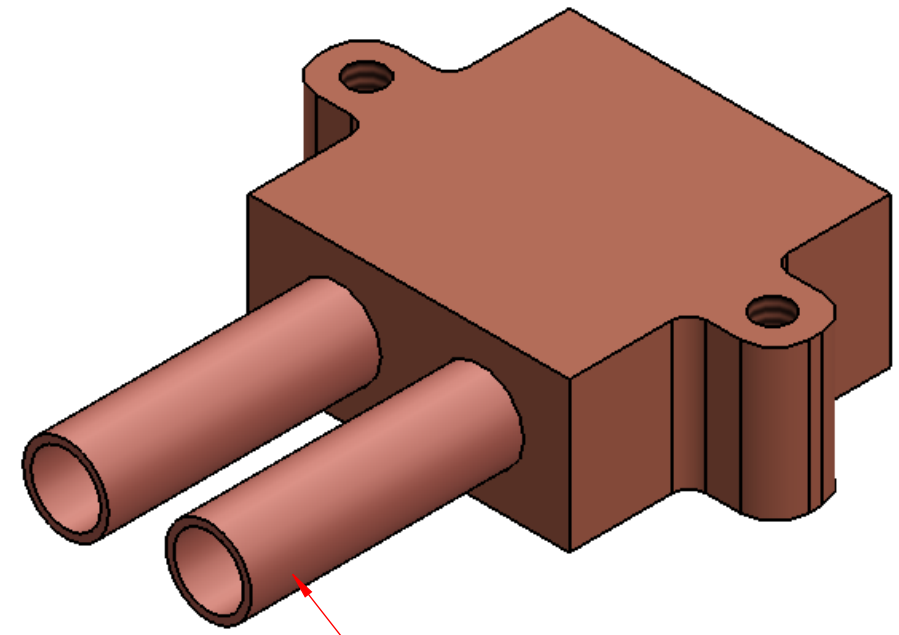
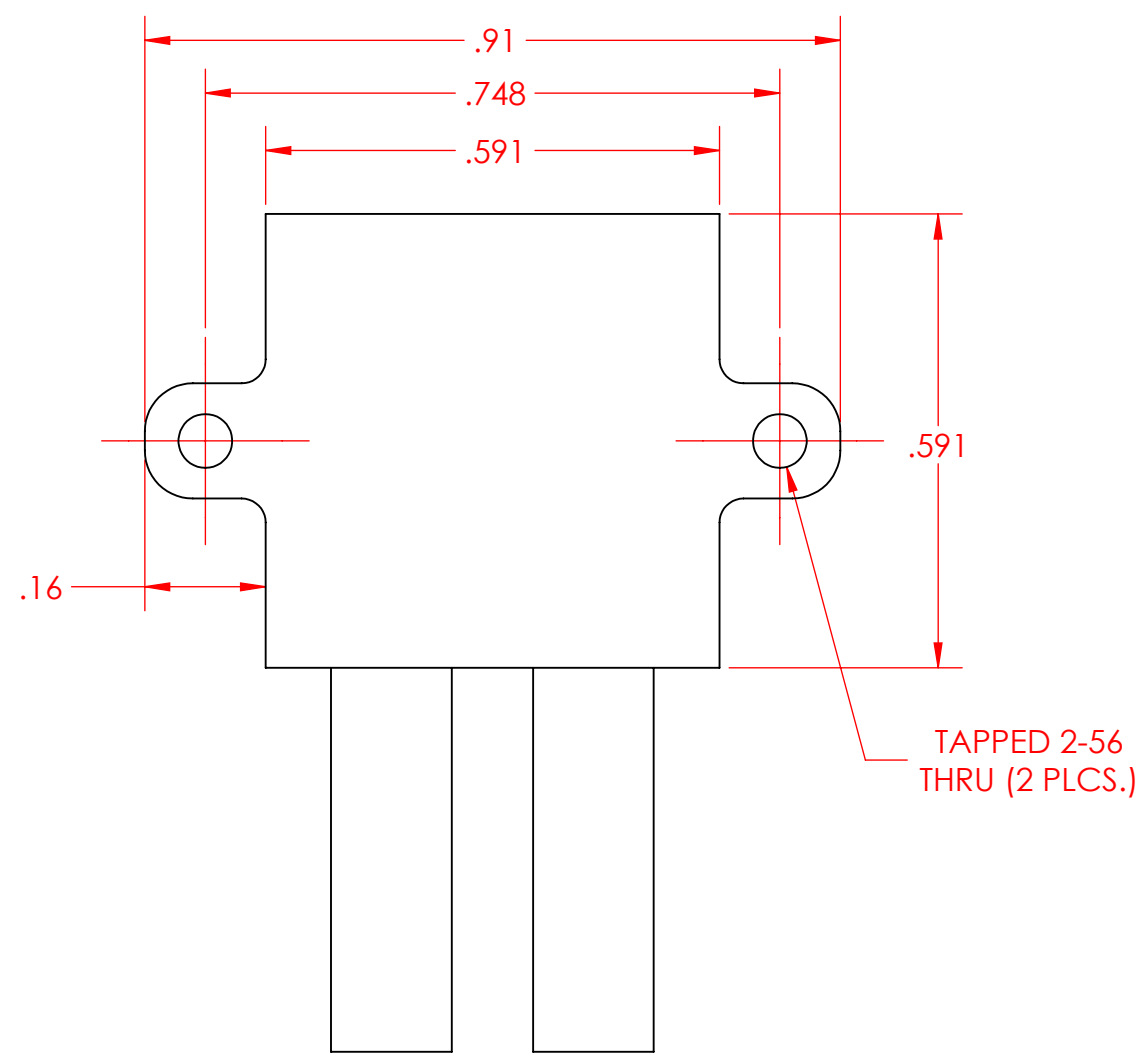
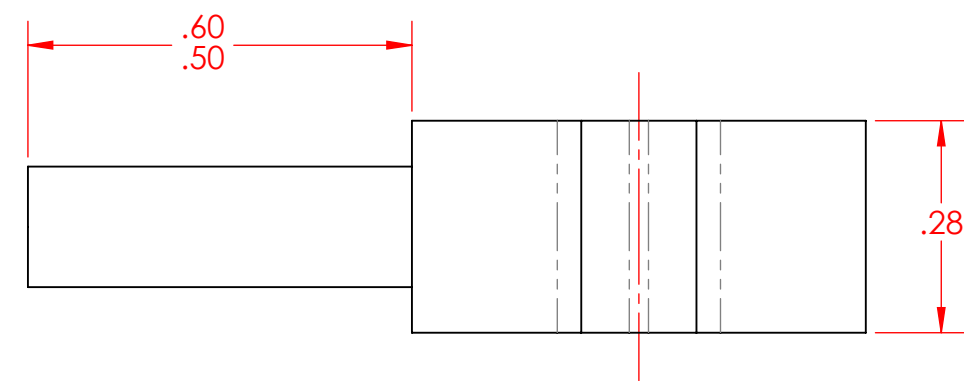
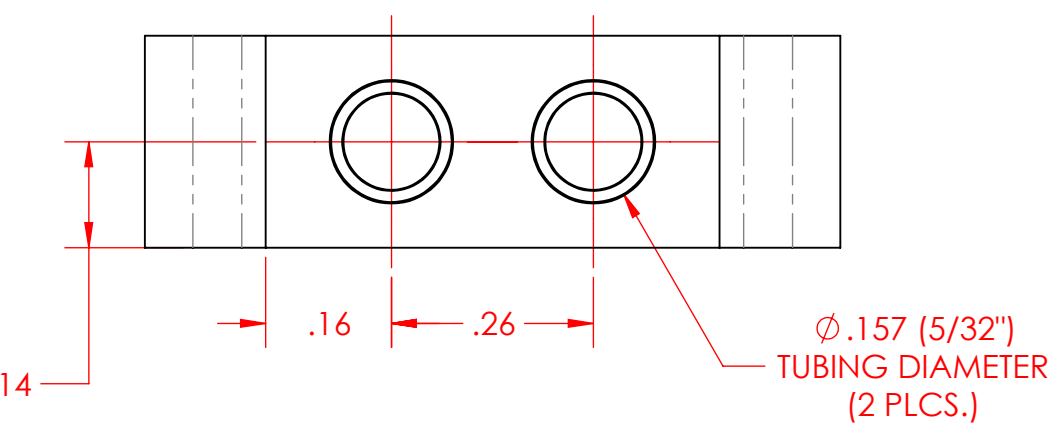


8 7 6 5 4 3 2 1




COPPER TUBING 0.157" OD
USE WITH 0.125" ID FLEXIBLE
TUBING



NOTES:
MATERIAL: BODY AND TUBING ARE COPPER 100 SERIES ALLOY

PROPRIETARY AND CONFIDENTIAL
THE INFORMATION CONTAINED IN THIS DRAWING IS THE SOLE PROPERTY OF CUSTOM THERMOELECTRIC, LLC. ANY REPRODUCTION IN PART OR AS A WHOLE WITHOUT THE WRITTEN PERMISSION OF CUSTOM THERMOELECTRIC, LLC IS PROHIBITED.

		UNLESS OTHERWISE SPECIFIED:	NAME	DATE	 TITLE: WATER BLOCK ASSEMBLY 0.59 x 0.59 x 0.28	
		DIMENSIONS ARE IN INCHES	DRAWN	AEM		6/01/2015
		TOLERANCES:	CHECKED			
		FRACTIONAL ±	ENG APPR.			
		ANGULAR: MACH ± BEND ±	MFG APPR.			
		TWO PLACE DECIMAL ±0.01	Q.A.			
		THREE PLACE DECIMAL ±0.005	COMMENTS:			
		INTERPRET GEOMETRIC TOLERANCING PER: ANSI				
		MATERIAL				
NEXT ASSY	USED ON	FINISH				
APPLICATION		DO NOT SCALE DRAWING				
SIZE	DWG. NO.	REV				
B	WBA-0.60-0.28-CU	A				
SCALE: 4:1	WEIGHT:	SHEET 1 OF 1				

8 7 6 5 4 3 2 1