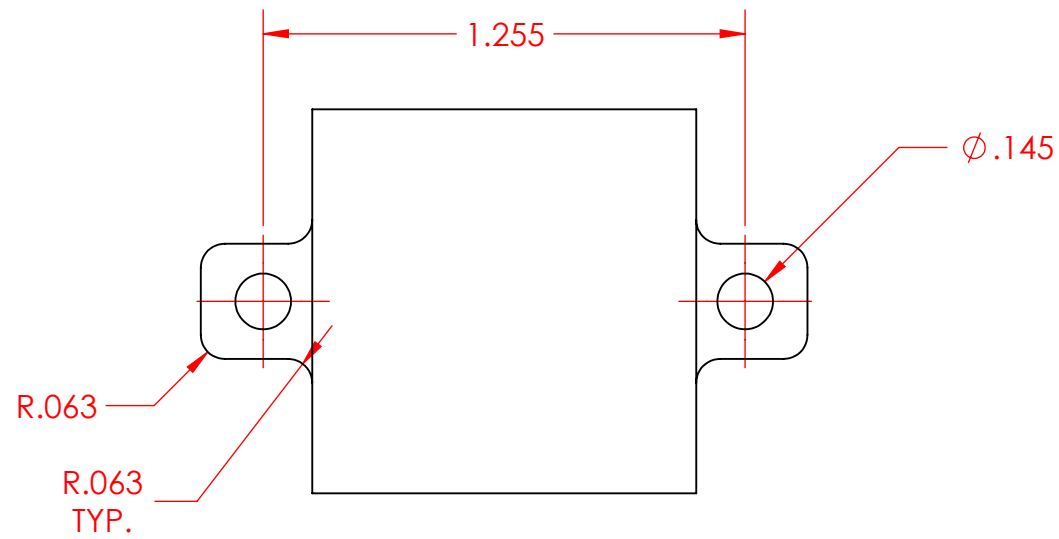
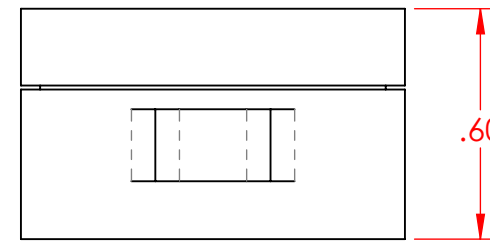
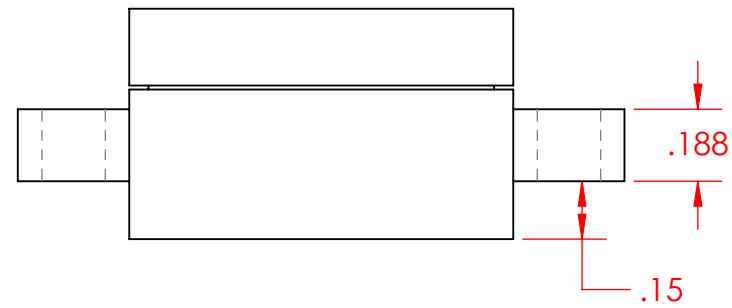
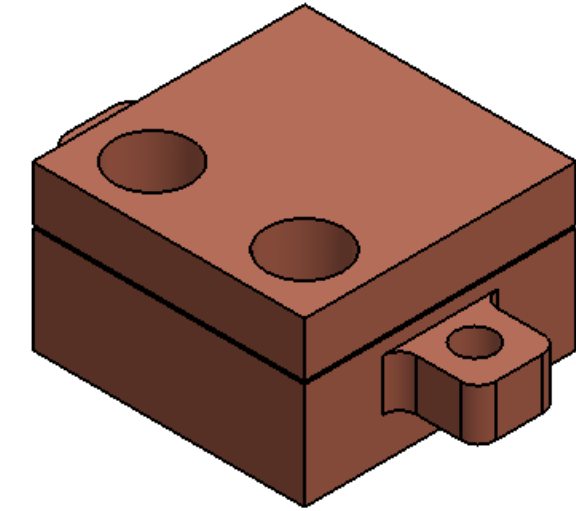



TAPPED INLET & OUTLET HOLES 1/16 NPT



**PROPRIETARY AND CONFIDENTIAL**  
 THE INFORMATION CONTAINED IN THIS DRAWING IS THE SOLE PROPERTY OF CUSTOM THERMOELECTRIC, LLC. ANY REPRODUCTION IN PART OR AS A WHOLE WITHOUT THE WRITTEN PERMISSION OF CUSTOM THERMOELECTRIC, LLC IS PROHIBITED.

		UNLESS OTHERWISE SPECIFIED:	NAME	DATE	 <b>TITLE:</b> WATER BLOCK ASSEMBLY 1.00 x 1.00 x 0.60 1/16 NPT HOLES IN COVER
		DIMENSIONS ARE IN INCHES	DRAWN	MASTERS 5/27/2015	
		TOLERANCES:	CHECKED		
		FRACTIONAL ±	ENG APPR.		
		ANGULAR: MACH ± BEND ±	MFG APPR.		
		TWO PLACE DECIMAL ±0.01	Q.A.		
		THREE PLACE DECIMAL ±0.005	COMMENTS:		
		INTERPRET GEOMETRIC TOLERANCING PER: ANSI			SIZE
		MATERIAL			DWG. NO.
		FINISH			REV
NEXT ASSY	USED ON	DO NOT SCALE DRAWING			<b>B</b> WBA-1.00-0.60-CU-CH <b>A</b>
APPLICATION			SCALE: 2:1	WEIGHT:	SHEET 1 OF 1