

4

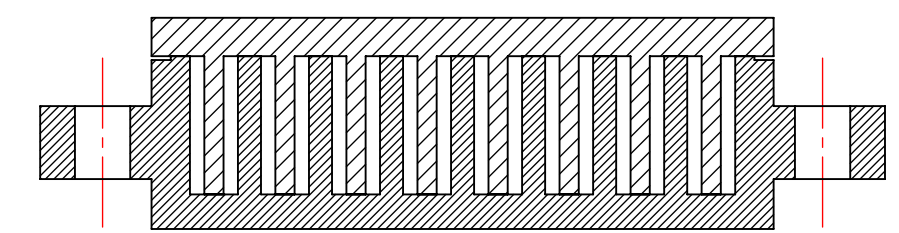
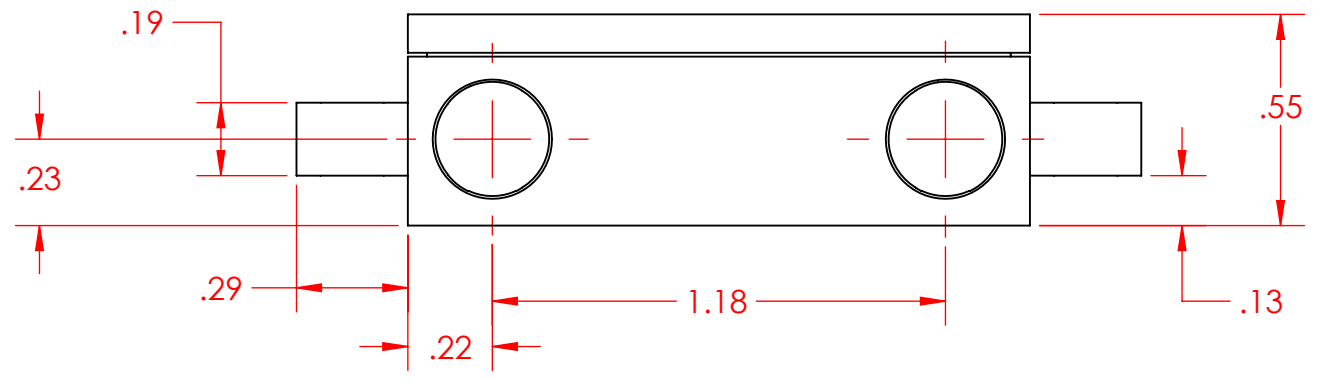
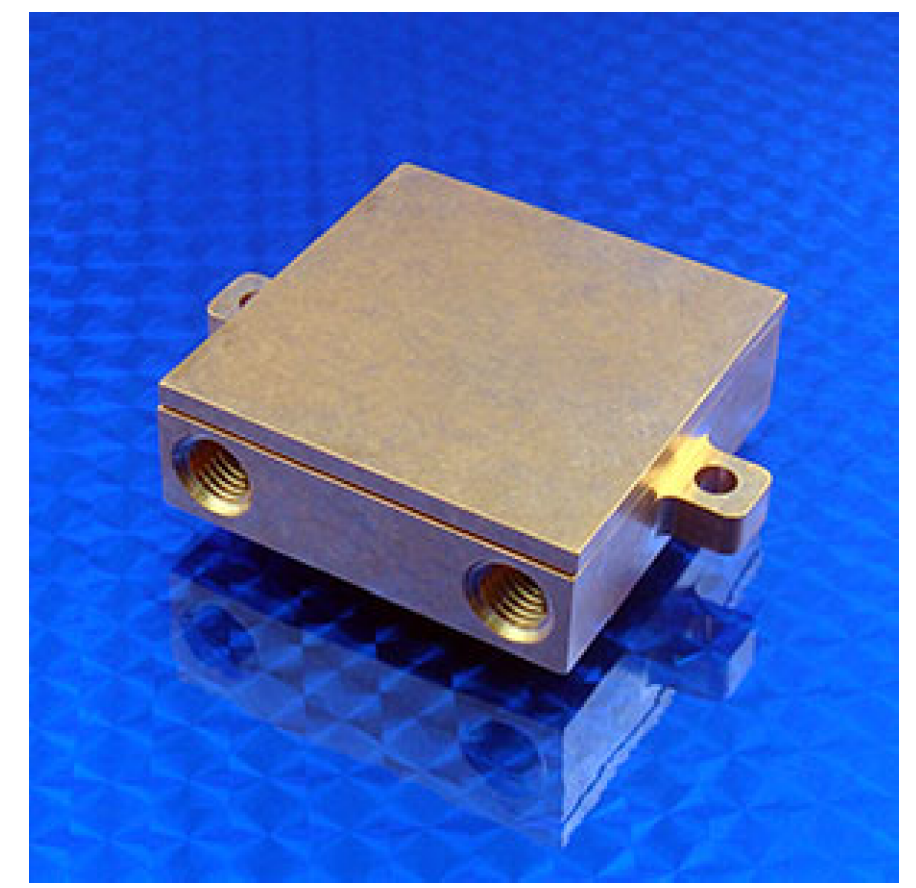
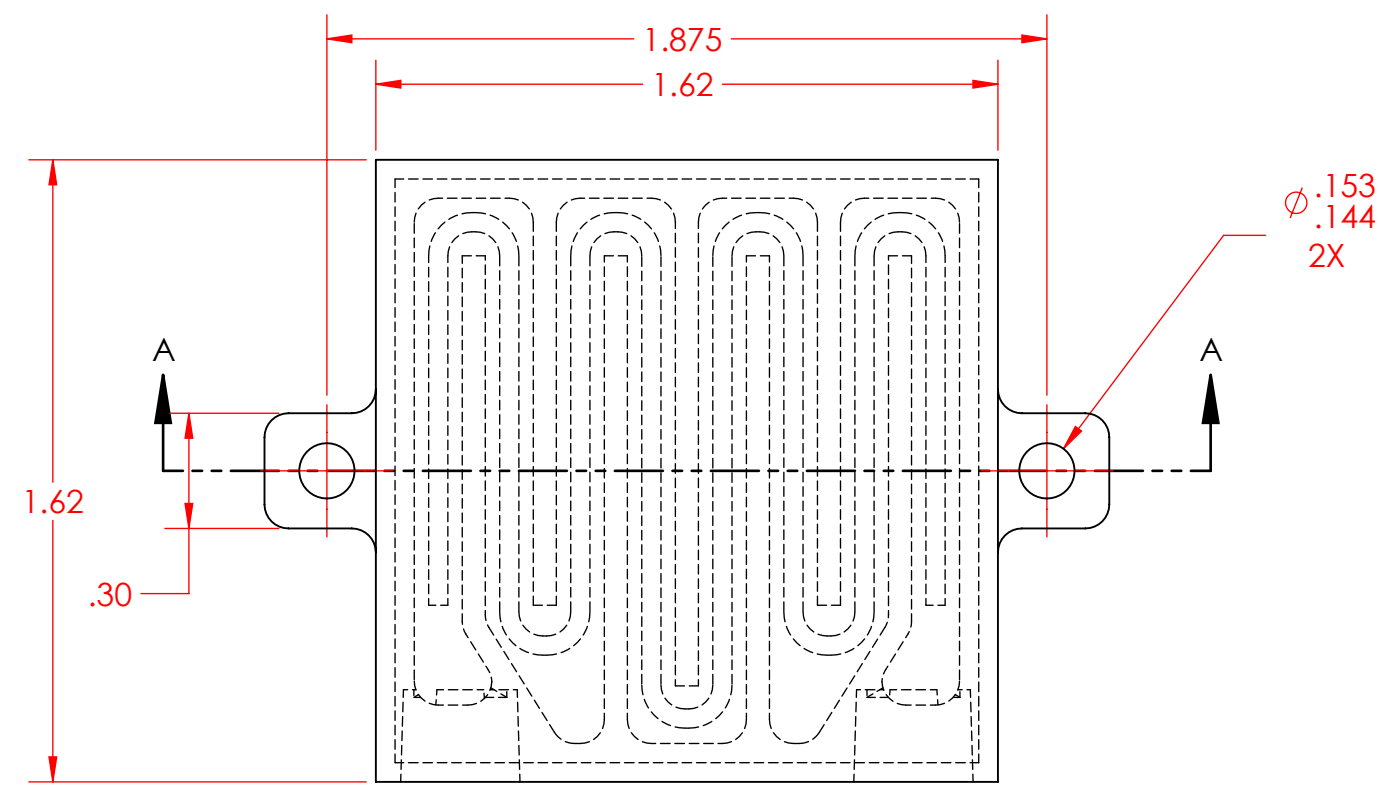
3

2

1


B

B



SECTION A-A

NOTES:  
 1. MATERIAL: COPPER 100 SERIES ALLOY

PROPRIETARY AND CONFIDENTIAL THE INFORMATION CONTAINED IN THIS DRAWING IS THE SOLE PROPERTY OF CUSTOM THERMOELECTRIC, LLC. ANY REPRODUCTION IN PART OR AS A WHOLE WITHOUT THE WRITTEN PERMISSION OF CUSTOM THERMOELECTRIC, LLC IS PROHIBITED.	UNLESS OTHERWISE SPECIFIED:	NAME	DATE	 11941 Industrial Park Road, STE 5 Bishopville, MD 21813	
	DIMENSIONS ARE IN INCHES	DRAWN	AEM		05/02/2017
	TOLERANCES: FRACTIONAL ±.03 ANGULAR: MACH ±0°30' BEND ±1° TWO PLACE DECIMAL ±.01 THREE PLACE DECIMAL ±.005 SURFACES TO BE PERPENDICULAR WITHIN .005 T.I.R. SURFACES TO BE PARALLEL WITHIN .005 T.I.R. HOLE ANGULAR TOLERANCE ±0°5'	CHECKED			
	INTERPRET GEOMETRIC TOLERANCING PER: ANSI Y14.5	ENG APPR.			
	MATERIAL	MFG APPR.			
FINISH	Q.A.			TITLE: <b>WATER BLOCK ASSEMBLY, COPPER</b> <b>1.62 X 1.62 X 0.55"</b>	
DO NOT SCALE DRAWING	COMMENTS:				SIZE <b>B</b> DWG. NO. <b>WBA-1.62-0.55-CU-01</b> REV <b>A</b>
				SCALE: 2:1 WEIGHT: SHEET 1 OF 1	

4

3

2

1

A

A