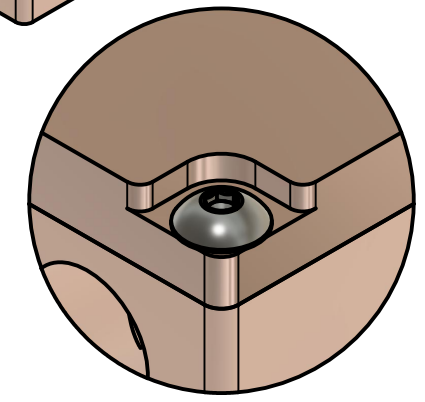
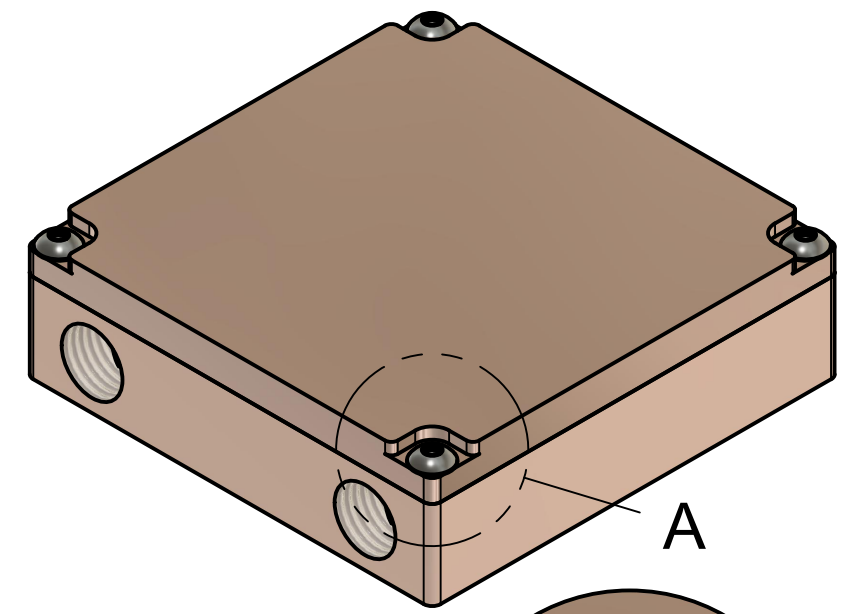
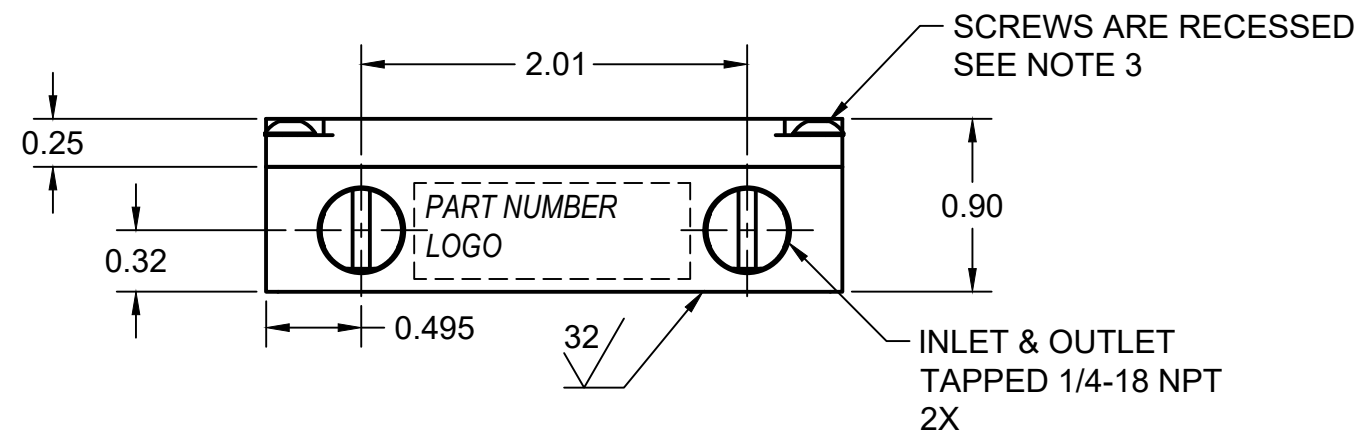


SECTION B-B
SCALE 1:1



DETAIL A
SCALE 2:1

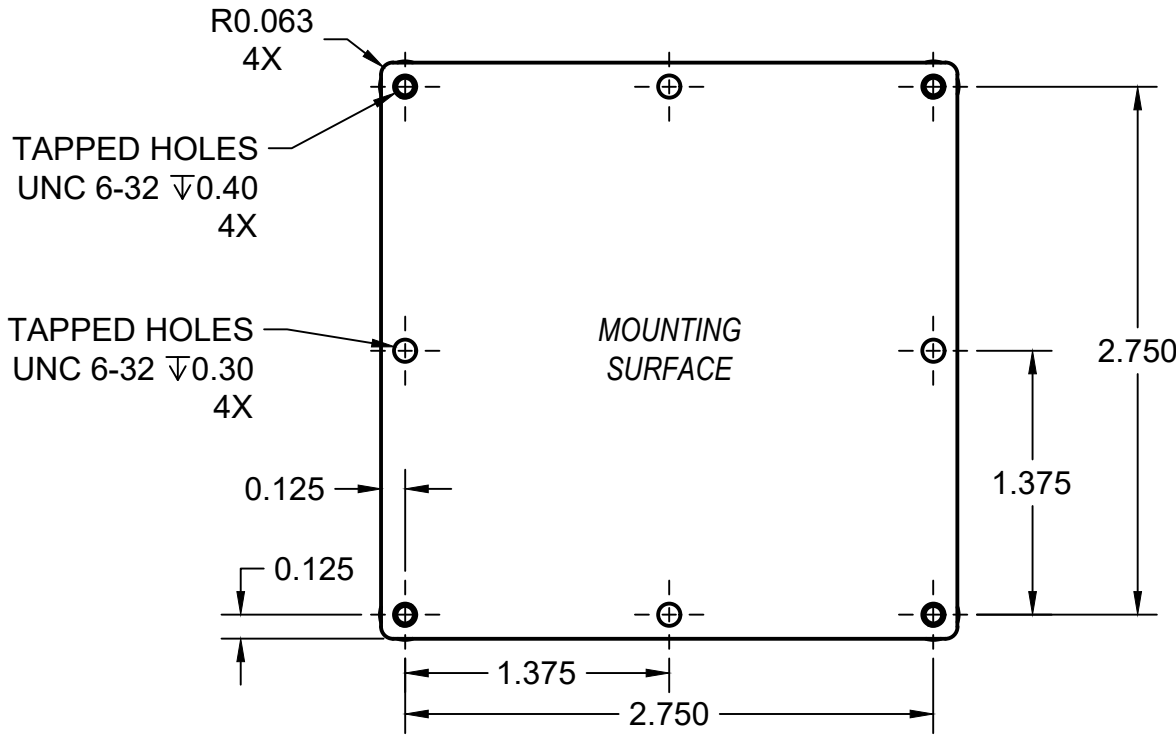


2ND GENERATION DESIGN

- 7.5% LESS WEIGHT
- REDUCED PRESSURE LOSSES
- WIDER FLUID CHANNELS FOR IMPROVED FLOW
- IMPROVED O-RING DESIGN FOR BETTER SEAL
- RECESSED SCREW HEADS

NOTES:

1. MATERIAL: COPPER 110 (C11000) [99.9% PURE COPPER]
2. ALL SURFACES ARE MACHINED
3. SCREWS: 4X 18-8 STAINLESS STEEL UNC 6-32 BUTTON HEAD $\frac{3}{8}$ " LONG. SCREWS ARE INSERTED WITH MEDIUM STRENGTH THREAD LOCKER.
4. O-RING: BUNA-N IS STANDARD. VITON AND SILICONE O-RINGS AVAILABLE



PROPRIETARY AND CONFIDENTIAL
THE INFORMATION CONTAINED IN THIS DRAWING IS THE SOLE PROPERTY OF CUSTOM THERMOELECTRIC, LLC. ANY REPRODUCTION IN PART OR AS A WHOLE WITHOUT THE WRITTEN PERMISSION OF CUSTOM THERMOELECTRIC, LLC IS PROHIBITED.



Custom Thermoelectric, LLC
11941 Industrial Park Road, STE 5
Bishopville, MD 21813
PH 443-926-9135 FX 443-926-9137
temodule@customthermoelectric.com

TOLERANCES UNLESS OTHERWISE SPECIFIED	
MILLIMETERS	INCHES
X = ± 1mm	X.X = ± 0.1
X.X = ± 0.25mm	X.XX = ± 0.01
X.XX = ± 0.10mm	X.XXX = ± 0.005

TITLE
WATER BLOCK ASSEMBLY
3.0 x 3.0 x 0.9" 2nd GENERATION
COPPER 110

APPROVED	SIZE	CODE	DWG NO	REV
CHECKED	B		WBA-3.00-0.90-CU-2G	A
DRAWN Andy Masters 7/19/2020	SCALE 1:1	WEIGHT	SHEET 1/1	