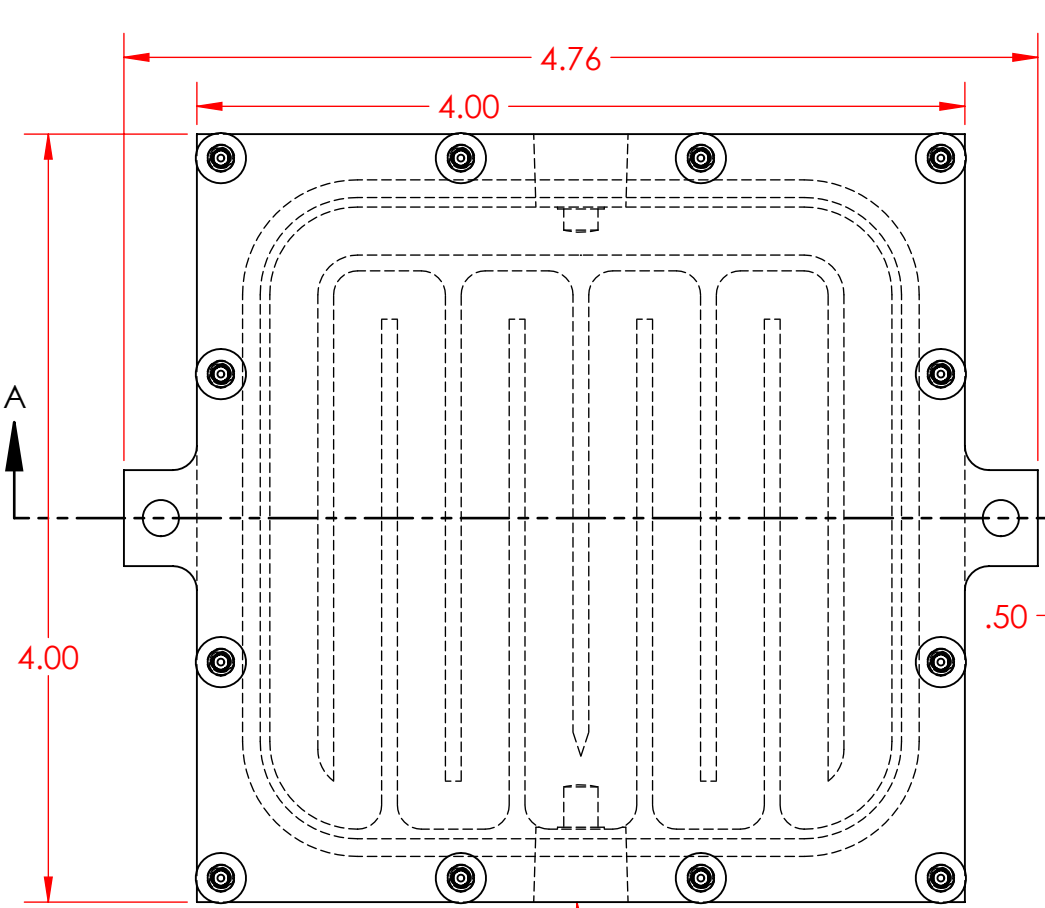
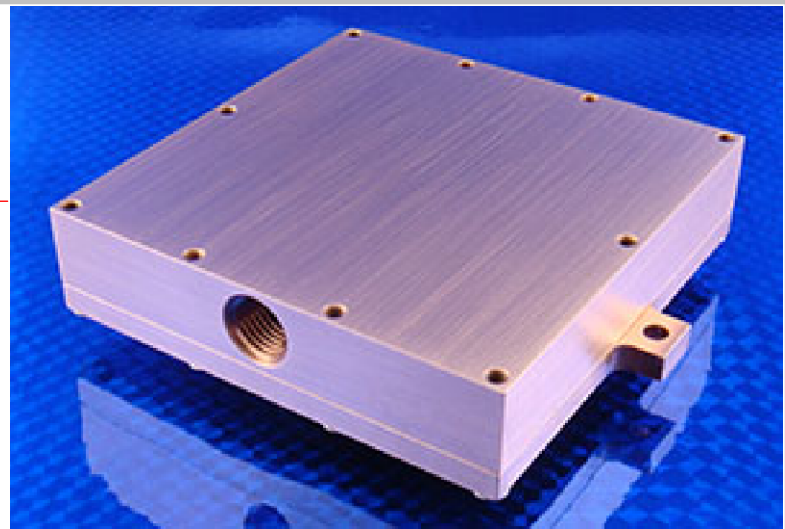


4

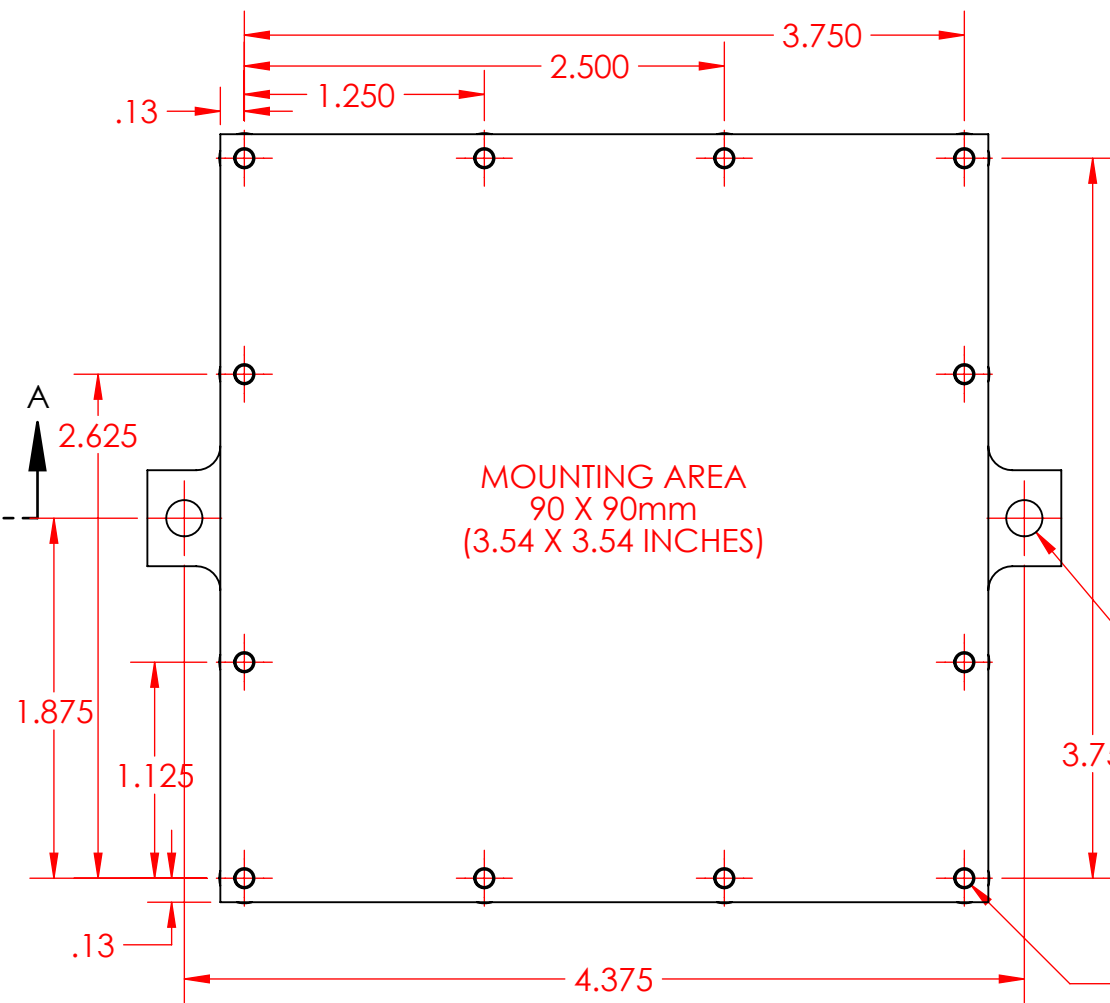
3

2

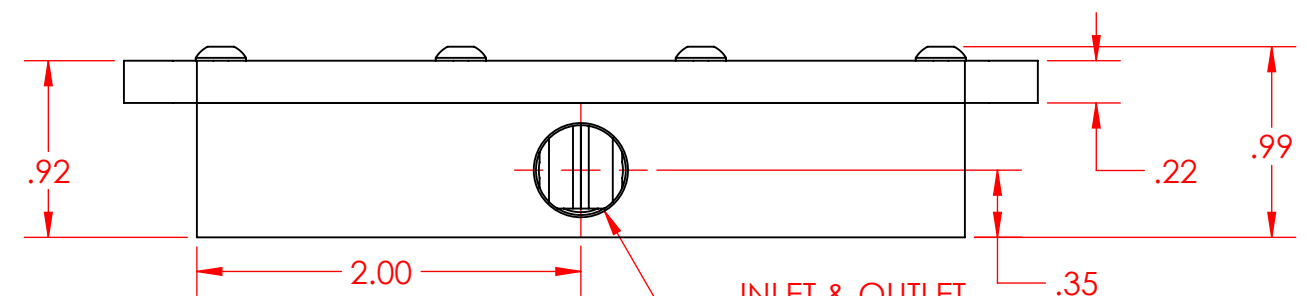
1



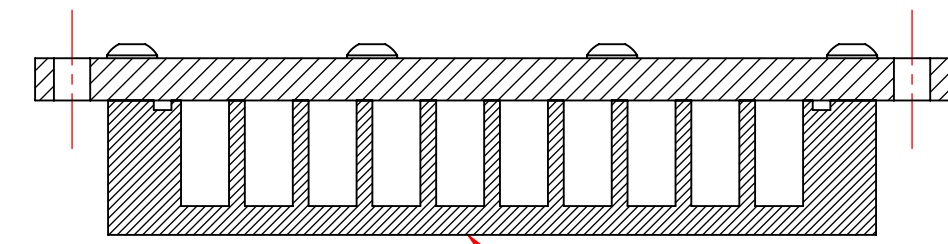
FLOW PATH INLET



Ø.189 THRU 2X



INLET & OUTLET TAPPED 1/4" NPT 2X



MOUNTING SURFACE  
SECTION A-A

NOTES:  
1. MATERIAL: COPPER 100 SERIES ALLOY

PROPRIETARY AND CONFIDENTIAL THE INFORMATION CONTAINED IN THIS DRAWING IS THE SOLE PROPERTY OF CUSTOM THERMOELECTRIC, LLC. ANY REPRODUCTION IN PART OR AS A WHOLE WITHOUT THE WRITTEN PERMISSION OF CUSTOM THERMOELECTRIC, LLC IS PROHIBITED.	UNLESS OTHERWISE SPECIFIED:	NAME	DATE	11941 Industrial Park Road, STE 5 Bishopville, MD 21813 <b>TITLE: WATER BLOCK ASSEMBLY, COPPER 4.0 X 4.0 X 0.92"</b> SIZE DWG. NO. REV <b>B WBA-4.0-0.92-CU-01 B</b> SCALE: 1:1 WEIGHT: SHEET 1 OF 1
	DIMENSIONS ARE IN INCHES	AEM	05/02/2017	
	TOLERANCES: FRACTIONAL ±.03 ANGULAR: MACH ±0°30' BEND ±1° TWO PLACE DECIMAL ±.01 THREE PLACE DECIMAL ±.005 SURFACES TO BE PERPENDICULAR WITHIN .005 T.I.R. SURFACES TO BE PARALLEL WITHIN .005 T.I.R. HOLE ANGULAR TOLERANCE ±0°5'	DRAWN		
	INTERPRET GEOMETRIC TOLERANCING PER: ANSI Y14.5	CHECKED		
	MATERIAL	ENG APPR.		
FINISH	MFG APPR.			
DO NOT SCALE DRAWING	Q.A.			
	COMMENTS:			

4

3

2

1

B

B

A

A