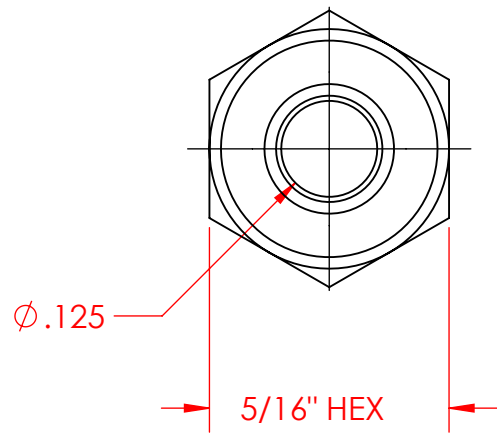
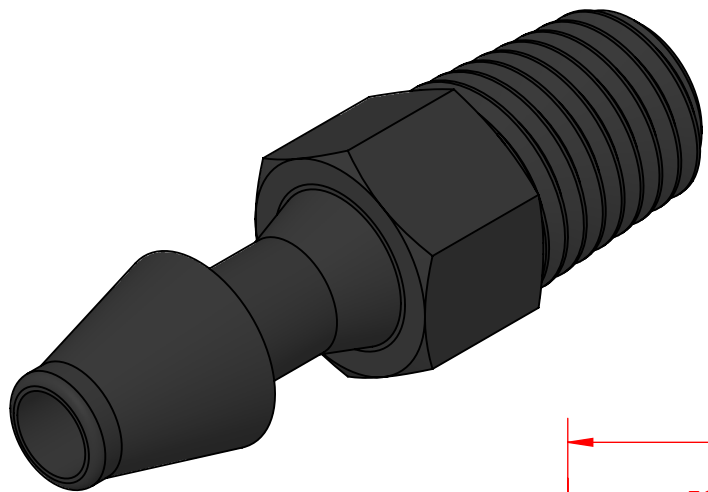


2

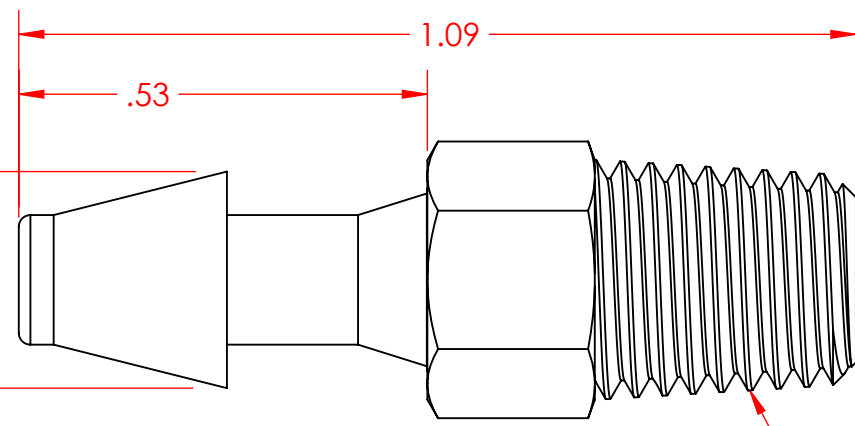
1

B

B



.282
FOR 3/16" ID TUBE



1/16" NPT PIPE SIZE, 27 THREADS PER INCH
0.26" THREAD ENGAGEMENT

NOTES:
1. MATERIAL: NYLON

A

A

PROPRIETARY AND CONFIDENTIAL
THE INFORMATION CONTAINED IN THIS DRAWING IS THE SOLE PROPERTY OF CUSTOM THERMOELECTRIC, LLC. ANY REPRODUCTION IN PART OR AS A WHOLE WITHOUT THE WRITTEN PERMISSION OF CUSTOM THERMOELECTRIC, LLC IS PROHIBITED.

		UNLESS OTHERWISE SPECIFIED:		NAME	DATE
		DIMENSIONS ARE IN INCHES	DRAWN	AEM	5/20/2017
		TOLERANCES:	CHECKED		
		FRACTIONAL $\pm 1/32$	ENG APPR.		
		ANGULAR: MACH ± 1	MFG APPR.		
		TWO PLACE DECIMAL $\pm .01$	Q.A.		
		THREE PLACE DECIMAL $\pm .005$	COMMENTS:		
		INTERPRET GEOMETRIC TOLERANCING PER:			
		MATERIAL			
		FINISH			
NEXT ASSY	USED ON				
	APPLICATION	DO NOT SCALE DRAWING			

 **CUSTOM THERMOELECTRIC**
Your Thermoelectric Partner

11941 INDUSTRIAL PARK RD, STE 5
BISHOPVILLE, MD 21813
PH 443-926-9135 FX 443-926-9137

TITLE:		
BARBED FITTING ADAPTER, NYLON 1/16 NPT TO 3/16 BARB		
SIZE	DWG. NO.	REV
A	WBF-1.16-3.16-NY	A
SCALE: 4:1	WEIGHT:	SHEET 1 OF 1

2

1