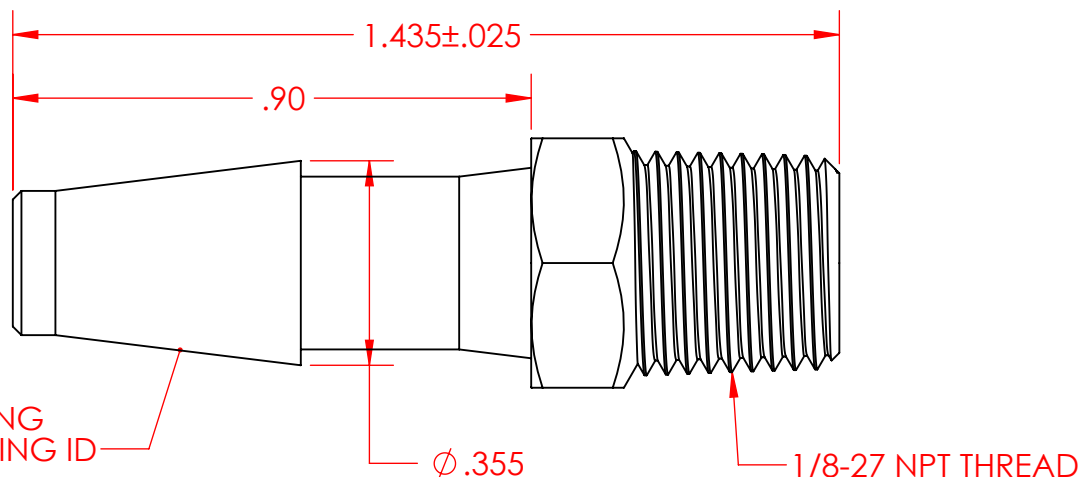
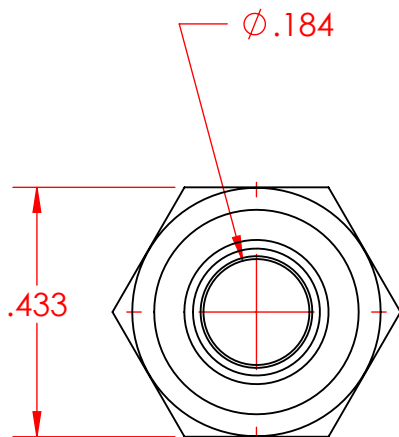
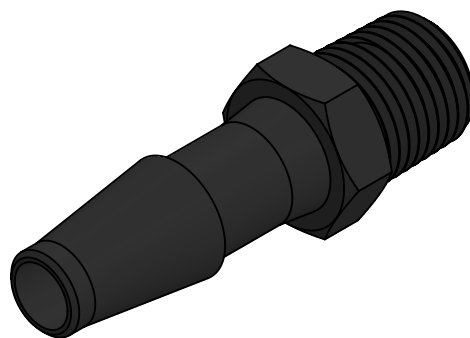


2

1

B

B



BARBED FITTING FOR 1/4" TUBING ID

NOTES:  
1. MATERIAL: BLACK NYLON

A

A

**PROPRIETARY AND CONFIDENTIAL**  
THE INFORMATION CONTAINED IN THIS DRAWING IS THE SOLE PROPERTY OF CUSTOM THERMOELECTRIC, LLC. ANY REPRODUCTION IN PART OR AS A WHOLE WITHOUT THE WRITTEN PERMISSION OF CUSTOM THERMOELECTRIC, LLC IS PROHIBITED.

		UNLESS OTHERWISE SPECIFIED:		NAME	DATE
		DIMENSIONS ARE IN INCHES	DRAWN	MASTERS	5/20/2017
		TOLERANCES:	CHECKED		
		FRACTIONAL ± 1/32	ENG APPR.		
		ANGULAR: MACH ± 1 BEND ±	MFG APPR.		
		TWO PLACE DECIMAL ± .01	Q.A.		
		THREE PLACE DECIMAL ± .005	COMMENTS:		
		INTERPRET GEOMETRIC TOLERANCING PER:			
		MATERIAL			
		FINISH			
NEXT ASSY	USED ON				
	APPLICATION	DO NOT SCALE DRAWING			

 **CUSTOM THERMOELECTRIC**  
*Your Thermoelectric Partner*

11941 INDUSTRIAL PARK RD STE 5  
BISHOPVILLE, MD 21813  
PH 443-926-9135 FAX 443-926-9137

TITLE:  
**BARBED FITTING  
ADAPTER, NYLON  
1/8" NPT TO 1/4" TUBING**

SIZE	DWG. NO.	REV
<b>A</b>	<b>WBF-1.8-1.4-NY</b>	<b>A</b>

SCALE: 3:1 WEIGHT: SHEET 1 OF 1

2

1