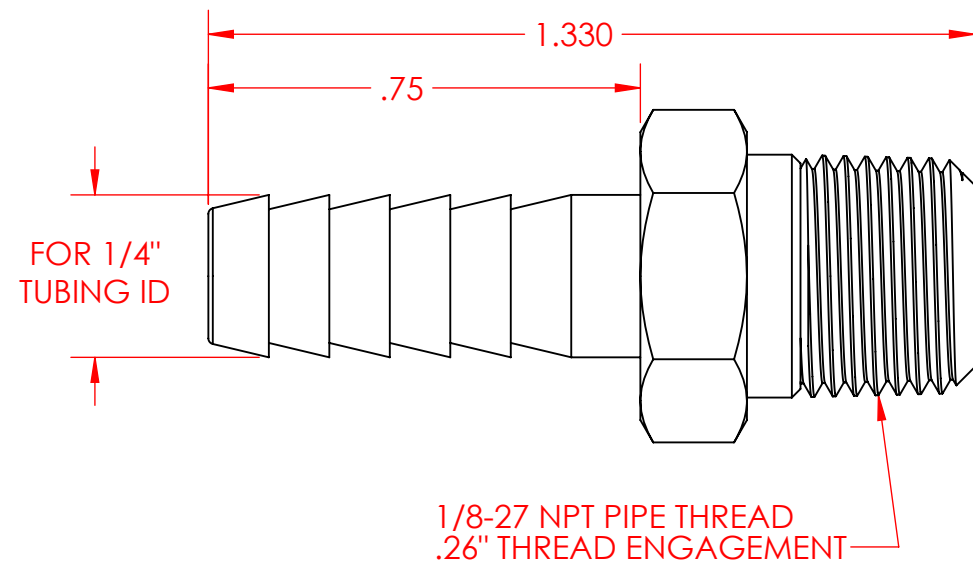
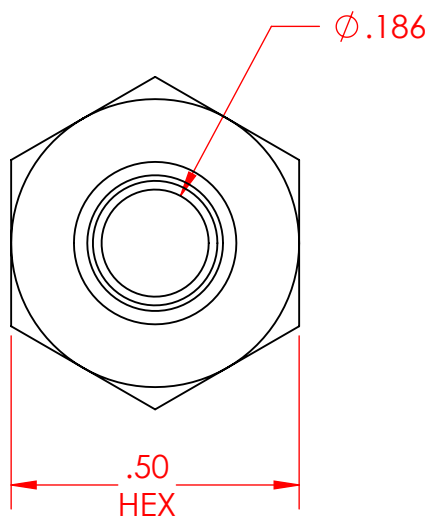
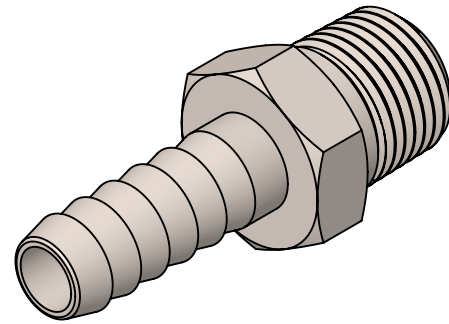


2

1

B

B



NOTES:
1. MATERIAL: 303 STAINLESS STEEL

A

A

PROPRIETARY AND CONFIDENTIAL
THE INFORMATION CONTAINED IN THIS DRAWING IS THE SOLE PROPERTY OF CUSTOM THERMOELECTRIC, LLC. ANY REPRODUCTION IN PART OR AS A WHOLE WITHOUT THE WRITTEN PERMISSION OF CUSTOM THERMOELECTRIC, LLC IS PROHIBITED.

		UNLESS OTHERWISE SPECIFIED:		NAME	DATE
		DIMENSIONS ARE IN INCHES	DRAWN	MASTERS	5/20/2017
		TOLERANCES:	CHECKED		
		FRACTIONAL $\pm 1/32$	ENG APPR.		
		ANGULAR: MACH ± 1	MFG APPR.		
		TWO PLACE DECIMAL $\pm .01$	Q.A.		
		THREE PLACE DECIMAL $\pm .005$	COMMENTS:		
		INTERPRET GEOMETRIC TOLERANCING PER:			
		MATERIAL			
		FINISH			
NEXT ASSY	USED ON				
	APPLICATION	DO NOT SCALE DRAWING			

CUSTOM THERMOELECTRIC
Your Thermoelectric Partner

11941 INDUSTRIAL PARK RD STE 5
BISHOPVILLE, MD 21813
PH 443-926-9135 FAX 443-926-9137

TITLE:
**BARBED FITTING
ADAPTER, SS
1/8-27 NPT TO 1/4 : TUBING**

SIZE	DWG. NO.	REV
A	WBF-1.8-1.4-SS	A

SCALE: 3:1 WEIGHT: SHEET 1 OF 1

2

1