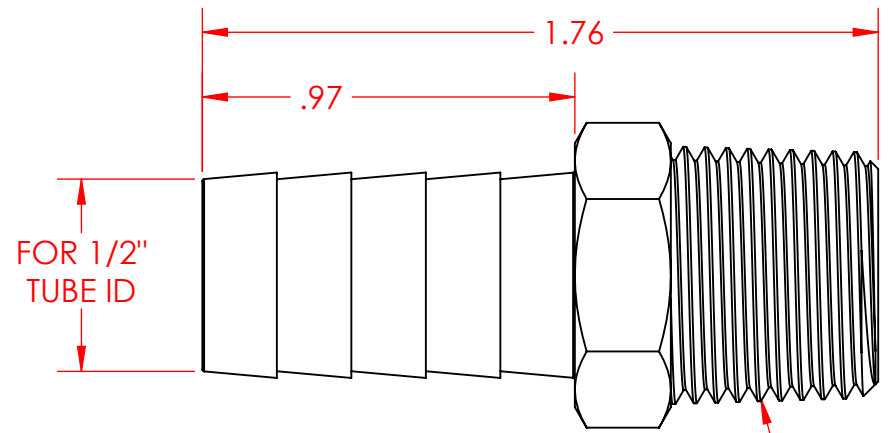
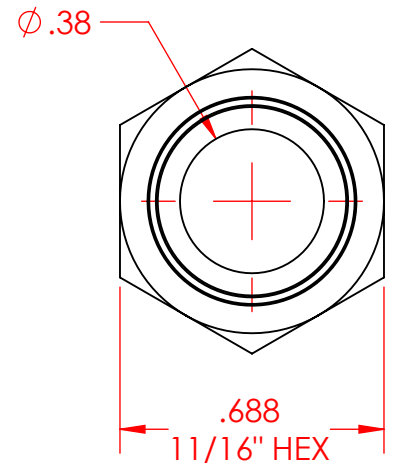
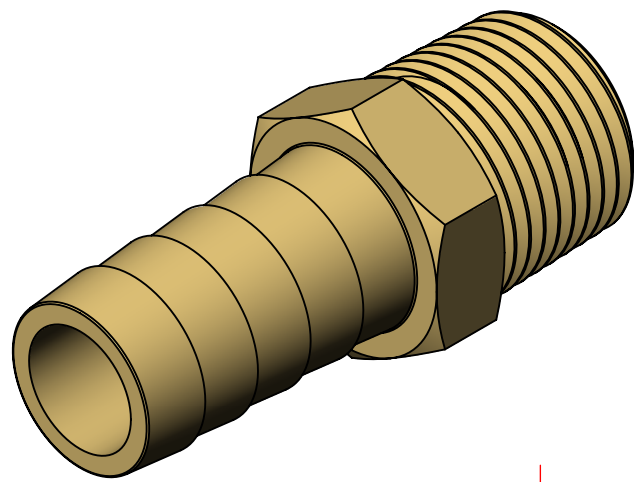


2

1

B

B



NOTES:
 1. MATERIAL: BRASS

3/8-18 NPT PIPE THREAD
 0.41" THREAD ENGAGEMENT

A

A

PROPRIETARY AND CONFIDENTIAL
 THE INFORMATION CONTAINED IN THIS DRAWING IS THE SOLE PROPERTY OF CUSTOM THERMOELECTRIC, LLC. ANY REPRODUCTION IN PART OR AS A WHOLE WITHOUT THE WRITTEN PERMISSION OF CUSTOM THERMOELECTRIC, LLC IS PROHIBITED.

		UNLESS OTHERWISE SPECIFIED:		NAME	DATE
		DIMENSIONS ARE IN INCHES	DRAWN	MASTERS	5/20/2017
		TOLERANCES:	CHECKED		
		FRACTIONAL ± 1/32	ENG APPR.		
		ANGULAR: MACH ± 1 BEND ±	MFG APPR.		
		TWO PLACE DECIMAL ± .01	Q.A.		
		THREE PLACE DECIMAL ± .005	COMMENTS:		
		INTERPRET GEOMETRIC TOLERANCING PER:			
		MATERIAL			
NEXT ASSY	USED ON	FINISH			
	APPLICATION	DO NOT SCALE DRAWING			

 **CUSTOM THERMOELECTRIC**
Your Thermoelectric Partner
 11941 INDUSTRIAL PARK RD STE 5
 BISHOPVILLE, MD 21813
 PH 443-926-9135 FAX 443-926-9137

TITLE:
**BARBED FITTING
 ADAPTER, BRASS
 3/8-18 NPT TO 1/2" ID TUBING**

SIZE	DWG. NO.	REV
A	WBF-3.8-1.2-BR	A
SCALE: 1:1	WEIGHT:	SHEET 1 OF 1

2

1